

# FT Flexitest™ Switches Type FT-1, FT-1F, FT-1X & FT-14

Descriptive Bulletin 41-077

Effective November 2007

Supersedes DB 41-077, dated July 2006



**ABB**

**Application** ABB Flexitest Switches, Types FT-1 (10 pole, rear connected), FT-1F (10 pole, front connected), FT-1X (10 pole, extended terminals, rear connected), FT-14 (14 pole, rear connected), and associated Test Plugs provide a safe, simple, fast and reliable method to isolate and service installed equipment.

**Advantages** FT test switches provide a safe, reliable, and cost-effective means to wire the output of relays, meters, and other associated equipment to external devices for in-service testing. FT test switches have been an industry standard for years.

**FT-1** Standard 10 pole, rear connected test switch.

**FT-1F** Surface mount switch allows the user to make the same connections as with FT-1 but on the front of the switch.

**FT-1X** Extended length test switch brings the rear terminal connections to the same depth as most panel mounted protective relays and equipment.

**FT-14** Provides the same features and reliability as FT-1 but with a maximum of 14 individual poles. Although supplying 40% more capacity than the FT-1, the FT-14 only requires 18% more space.

**Safe and Convenient** All measurements and tests can be performed at the front of the switchboard without taking any devices out of service.

Flexitest Switches and Test Plugs have all the features necessary for applications involving the measurement of individual currents and voltages to facilitate testing of substation instrumentation and protection devices.

The make-before-break current short circuit feature allows test personnel to quickly and safely isolate equipment from current transformer (CT) circuits.

Voltage measurements can also be made directly on FT Switches without disturbing existing connections. There is a test clip located on the top of each pole that allows connection with standard spring clip test leads.

**Fast and Reliable** When Test Plugs are used, any number of circuits may be tested in rapid succession. One plug properly connected can test all instruments or meters of a particular type.

**Maximum Flexibility** Test switches can be assembled in a variety of different arrangements, to match customer requirements.

Test Plugs used in conjunction with FT Switches enable easy measurement, calibration, verification and maintenance of relays, meters and instruments.

**Security** With the cover in place, a meter seal can be placed through either of the cover studs of any FT Switch to prevent unauthorized access to the switch. As an additional feature, a clear cover is available that can also be installed and locked with the switchblades in the open or closed positions.

**Warranty** ALL ABB Substation Automation and Protection test switches and relays are backed by a 12-YEAR warranty. The quality of ABB products comes from years of experience and rigorous quality testing programs.



**Specifications**

All Flexitest Switches meet or exceed all requirements of ANSI/IEEE Standard C37.90 and are UL, CUL and CSA listed. Class 1E Switches meet IEEE C37.98, C37.105, 323-1983 and 344-1987 Standards.

**Ratings** All Flexitest Switches are rated at 600 volts and 30 amps.

**Mounting** The FT-1, FT-14 and FT-1X Switches are designed for semi-flush mounting on the front of switchboard panels, facilitating inspection and accessibility. The FT-1F is designed for surface mounting and can also be mounted on a unistrut with the use of a unistrut adapter plate. Refer to Figures 11 to 13 beginning on page 28 for the specific outline and drilling plan information of each switch.

**Weight Specifications**

<i>Device Type</i>	<i>Net Lbs (kg)</i>	<i>Shipping Lbs (kg)</i>	<i>Shipping Container L x W x H in [cm]</i>
<i>FT-1 and FT-1F</i>	<i>1.75 (0.79)</i>	<i>3 (1.4)</i>	<i>7 x 5 x 4 [18 x 13 x 10]</i>
<i>FT-1X</i>	<i>2.7 (1.25)</i>	<i>3.75 (1.7)</i>	<i>7 x 12 x 4 [18 x 30 x 10]</i>
<i>FT-14</i>	<i>3.25 (1.5)</i>	<i>3.25 (1.5)</i>	<i>9 x 5 x 4 [22 x 13 x 10]</i>
<i>Separate Source Test Plug (10 position)</i>	<i>1.5 (0.68)</i>	<i>3 (1.4)</i>	<i>not available</i>
<i>In-Service Series Test Plug (10 position)</i>	<i>1.5 (0.68)</i>	<i>3 (1.4)</i>	<i>not available</i>
<i>Individual Current Circuit Test Plug</i>	<i>0.1 (0.045)</i>	<i>1 (0.45)</i>	<i>not available</i>

**Construction** The base of all Flexitest Switches is made of a molded thermo-plastic which provides a tough, insulated enclosure. Barriers are molded into the base (front and rear) to separate the switch units from one another. The barriers provide insulation between poles, and also ample wiring space between terminals. The terminals of the FT-1X are extended 8 to 10 inches beyond the switch blades located on the front of the switch.

**Cover** All Flexitest Switch covers provide a tough insulated enclosure for the switch and are made from a durable plastic material. Covers are fastened to the switches with thumbnuts on either end that can be loosened and tightened by hand, or with a 1/4" nut driver. This is the same size nut driver used on the hex head terminal screws of all Flexitest Switches. All covers have the provision to accept meter seals.

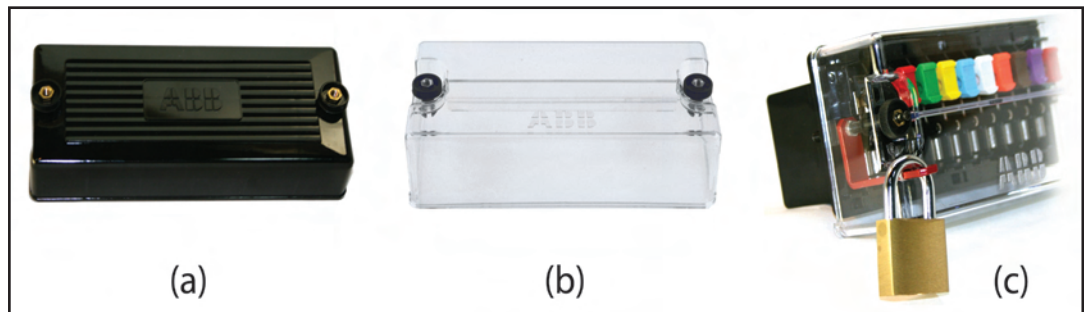


Figure 1. FT Cover selection samples (a) Black; (b) Clear; (c) Lockable

All switches may be purchased with a black opaque cover or a clear cover. The clear cover affords the user the unique option of intentionally leaving switch handles in the open position with the cover in place, maintaining the provision for a meter seal. This allows the user to service electrical equipment while still complying with OSHA tag and lockout procedures. Lockable covers (in black or clear) are also available upon request.

Any cover can be ordered separately to retrofit any existing switch, maintaining the same ease of use and accessibility. See Ordering Information on page 12.

**Poles**

FT-1, FT-1F and FT-1X switches are available in combinations of 1 to a maximum of 10 individual poles or switch units. FT-14 switches are available in combinations of 1 to a maximum of 14 poles or switch units. Each pole is identified by a letter (A to J or A to N) visible along the top of the base from left to right (front view).

Each individual pole is of a knife blade type. There are two different types of poles, Potential and Current. Potential poles (P) are configured as single, non-shorting knife blades for use in potential, trip, or control circuits. Current poles are typically configured in sets of two (C-C), for use with current circuits, and consist of a current test jack, a shorting spring, a shorting blade, and a non-shorting blade (see Figure 2). The positions of the short circuit springs are always visible from the front of the switch.

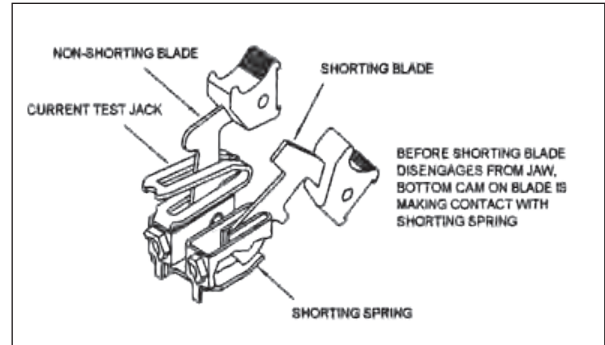


Figure 2. Blade assembly of 2 position pole "C-C" (rear view outside of base)

**Switch Handles**

Switch handles are made of a molded thermo-plastic material. They are typically black for potential and current circuits, red for trip circuits. In addition to black and red, switch handles are also available in various other colors (brown, purple, green, yellow, blue, white, and orange). Each handle has a dovetail indentation that can hold a circuit identification label.

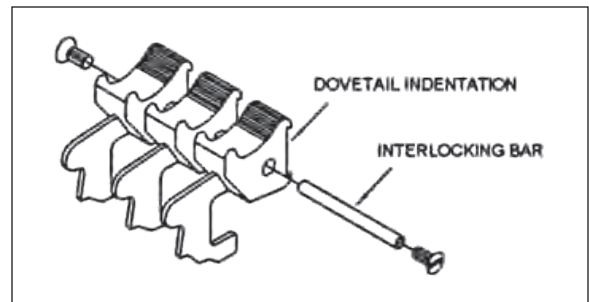


Figure 3. Switch handles with interlocking bar

Knife blade switches can be operated independently, or ganged together with a horizontal interlocking bar to suit testing needs. A hole runs through the middle of each switch handle to allow insertion of interlocking bars that can mechanically tie 2, 3, 4, 5, 6, 8, 10, or 14 switch handles together.

Interlocking Bars are sold separately, see "Test Plug & Accessories – Ordering Information" on page 12.

**Terminals**

Connection terminals are located at the rear of the switch (except on the front connected FT-1F). Terminal numbers are marked along the rear of the switch (1 to 20 on FT-1 and 1 to 28 on FT-14).

Each pair of numbered terminals is associated with a matching pole designated by a letter on the front of the switch, see Figure 4.

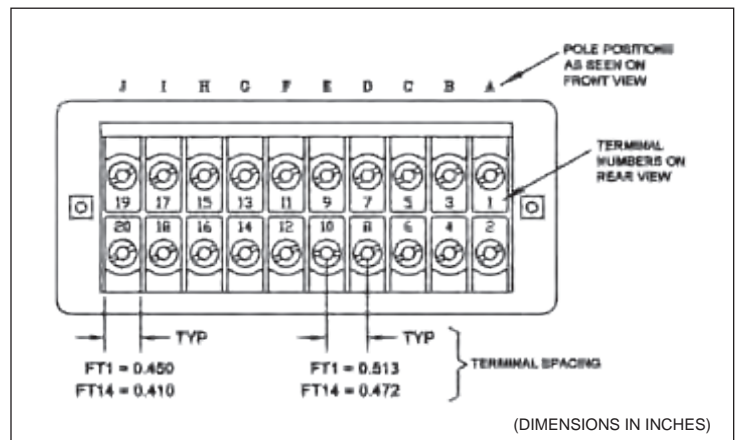


Figure 4. FT Switch terminals, rear view (FT-1 shown)

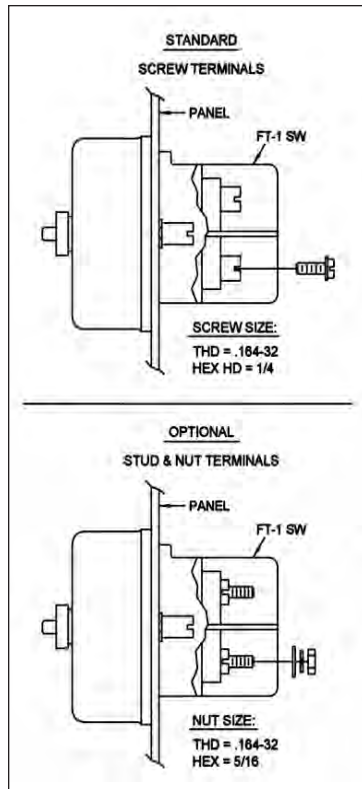


Figure 5. Terminal Connections

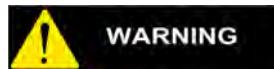
### Terminal Connections

All required terminal hardware is supplied with every FT Switch (see Figure 5).

*Screw terminals* are provided standard with all FT switches. Connections are made with a hex washer head screw - #8 thread size (0.164-32), 1/4" hex head.

*Stud and nut terminals* are an optional feature. Connections are made with two washers and a nut. A special (5/16") nut driver can be purchased from ABB to connect to stud terminals, see "Test Plug & Accessories - Ordering Information" on page 12.

Max Lug Size = Yellow 12-10 ga. Ring Terminal



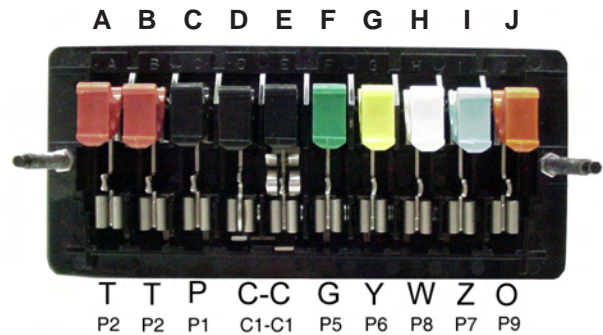
**Connections to ALL equipment should be made using standard and safe connection practices.**

**Recommended maximum torque values for all FT-1 & FT-14 terminals is 16 in-lbs. Exceeding this torque may result in damage to terminal threads.**

**Even number terminals (bottom row) of FT switches should be connected to Voltage Transformers and Current Transformers, while odd number terminals (top row) should be connected to equipment that is to be isolated, such as meters and relays.**

### Switch Arrangement

Pole positions are identified from left to right on the front view of the switch by the letters "A" through "J" or "A" through "N". Individual pole designations are used to identify each pole according to its type or function. In order to develop a complete Switch Arrangement, pole designations should be listed sequentially from left to right to account for every pole position on the switch. Unused poles are identified by the letter X.



**Potential Poles** **P** designates a Potential or control circuit with a black handle. Potential poles with other color handles are available by replacing the "P" with the appropriate designation per chart on this page.

Each potential pole can also be described with 2 characters (P1 to P9). **P** indicates Potential and the second character is a numeric color code for the switch handle.

**Current Poles** **C** designates a single Current circuit, non-shorting pole, with a current test jack and a black handle. Current poles with other color handles are available

Potential Pole Designation	Handle Color
P	P1 Black
T	P2 Red
H	P3 Brown
V	P4 Purple
G	P5 Green
Y	P6 Yellow
Z	P7 Blue
W	P8 White
O	P9 Orange

by replacing the "C" with the appropriate designation per chart on page 6.

Each current pole can also be described with 2 characters (C1 to C9). C indicates Current and the second character is a numeric color code for the switch handle.

Current poles typically span more than one pole position. Pole designations C-C, C-C-C, C-C-C-C and C-C-C-C-C indicate current shorting poles (make-before-break) with black handles. Note that any color handle may be selected for any pole position by using the appropriate pole designation, ex: 5-R or C-9-7 (alternately C5-C2 or C1-C9-C7).



**All Switch Arrangements should be checked for adequate current transformer shorting when applied to current transformer circuits.**

Current Pole Designation		Handle Color
C	C1	Black
R	C2	Red
3	C3	Brown
4	C4	Purple
5	C5	Green
6	C6	Yellow
7	C7	Blue
8	C8	White
9	C9	Orange

**Description of Poles - FT Flexitest Switches**

Pole Type	Pole Designation		Handle Color	Description & Schematic Symbol
Potential	P	P1	Black	Potential, non-shorting blade.
	T	P2	Red	
	H	P3	Brown	
	V	P4	Purple	
	G	P5	Green	
	Y	P6	Yellow	
	Z	P7	Blue	
	W	P8	White	
	O	P9	Orange	
	L	L1	Black ††	Potential, shorting blade.
Current	C	C1	Black	Current, non-shorting, with test jack and blade.
	R	C2	Red	
	3	C3	Brown	
	4	C4	Purple	
	5	C5	Green	
	6	C6	Yellow	
	7	C7	Blue	
	8	C8	White	
	9	C9	Orange	
	D	D0	None	
Current Shorting †	C-C	C1-C1	Black ††	Current shorting (make-before-break), with test jack and blade.
	C-A	C1-A1		Current shorting (make-before-break), with blade only.
	C-B	C1-B0		Current shorting (make-before-break), with stud only.
	C-D	C1-D0		Current shorting (make-before-break), with test jack only.
	C-E	C1-E1		Current shorting (make-before-break), with shorting blade only.
	C-S	C1-S0		Current shorting (make-before-break), with fixed shorting strap.
Miscellaneous	S	S0	None	Fixed shorting strap.
	J	J0	None	Current jaw, no blade.
	N	N0	None	Terminal stud in blade location, no jaw.
	U	U0	None	Stud and test clip in jaw location, no blade.
	X	X0	None	Empty pole position.

**Schematic Legend**

<b>Non-Shorting Blade</b>	
<b>Shorting Blade</b>	
<b>Current Test Jack</b>	
<b>Shorting Spring</b>	
<b>C-C-C</b>	

† = Current shorting poles are also available spanning up to 5 positions (ex: C-C-C-C-C or alternately C1-C1-C1-C1-C1).  
 †† = Every color handle is available by substituting appropriate pole color designation in desired location.



FT-1 Configurator

**How-to use this Site:** TO CONFIGURE: Select Base, Options, Poles & Handles. Click Configure... Need to start over? Click Reset.

TO SEARCH: Want to view an existing FT-1 or FT-14 Switch? You can search by Code No. or Style No.

**Select Base:**  Stand Alone FT-1  FT-19R Replacement FT-1  Front Connected FT-1F  FT-14

Letters = Pole Positions  
Numbers = Rear Terminals

**Select Options:**

**Cover:**  
 Black Cover  
 Clear Cover

**Terminals:**  
 Screw Terms.  
 Stud Terms

**Depth:**  
 Standard  
 Extended (10")

Front View

**Select Poles:** All | A: X | B: X | C: X | D: X | E: X | F: X | G: X | H: X | I: X | J: X

**Select Handles:** Non | Non | Non | Non | Non | Non | Non | Non | Non | Non

**Configure** **Reset**

Find Style No. Start Over

**SEARCH FT-1**  **Go**

**SEARCH FT-14**  **Go**

**Pole Descriptions**

P	Potential
C	Current
D	Test Jack
S	Fixed Strap
X	Empty

**Configure FT-19R**  
[Product Literature](#)  
[ABB Test Equipment](#)

FT-1 Configurator

ABB has a web based tool to help build any complete FT Switch Arrangement, select options, view schematic details and get Style Number information. The following products can be easily configured:

- FT-1
- Front connected FT-1F
- Extended terminals FT-1X
- Replacement switches for FT-19R
- FT-14 (14 Pole)
- FT19R switch panel assemblies

Please visit ABB's FT-1 Configurator website @ <http://ft1switch.com/>

Site Requirements: Internet Explorer Version 5.0 or later. View / Text Size / Medium  
 © Copyright 2007 ABB. All rights reserved.



FT-1 Configurator

**How-to use this Site:** TO CONFIGURE: Select Base, Options, Poles & Handles. Click Configure... Need to start over? Click Reset.

**Select Base:**  Stand Alone FT-1  FT-19R Replacement FT-1  Front Connected FT-1F  FT-14

Letters = Pole Positions  
Numbers = Rear Terminals

**Select Options:**

**Cover:**  
 Black Cover  
 Clear Cover

**Terminals:**  
 Screw Terms.  
 Stud Terms

**Depth:**  
 Standard  
 Extended (10")

Front View

**Select Poles:** All | A: P | B: P | C: P | D: P | E: P | F: C- | G: C- | H: P | I: P | J: P

**Select Handles:** Ora | Yel | Blu | Wht | Grn | Blk | Blk | Red | Pur | Brn

**Configure** **Reset**

Find Style No. Start Over

FT-1 Style No: **991A934G01** Code No: **934**

Stand Alone Arrangement: **O Y Z W G C-C T V H** No. of Poles: **10**

**Data Sheet** Options: **Black Cover, Screw Terminals** No. of Potentials: **8**

Get Data Sheet No. of Currents: **2**

© Copyright 2007 ABB. All rights reserved.

For a complete listing of available Pole Designations and their description, see below.

### Ordering Information - Flexitest Switches

FT-1, FT-1F and FT-1X switches are available in any combination of 1 to 10 poles and FT-14 is available in any combination up to 14 poles. Each different configuration of poles is assigned a unique part number or Style Number by the factory.

All FT switches are ordered by Style Number, see Ordering Information on page 9. The standard FT-1 Style Number defines a unique pole configuration. Adding a prefix and/or suffix to the standard Style Number allows the selection of options for FT-1 as well as the ability to create complete FT-1F and FT-1X Style Numbers. FT-14 Style Numbers are based on a smart part number system

The FT-1 Selection Guide, (Table 1, pages 13-22) and the FT-14 Selection Guide (Table 3, pages 27 & 28) provide a comprehensive listing of existing Style Numbers.

### Ordering Examples - “How-To”

The ordering information in Tables 1 and 3 (FT-1 and FT-14 Switch Selection Guides) is organized by number of poles and also by number of potential and current poles. To look up a 10 pole FT-1 switch, go to the 10 pole section of Table 1 and select the desired potential and current pole positions then select the corresponding Style Number.

ex: 10 Poles (6 Potentials, 4 Currents) **P P P P P C-C-C-C** = Style No. 670B197G28

10 Poles (10 Potentials, 0 Currents) **P P P P P P P P P P** = Style No. 129A501G01

An FT-1 switch with black cover and screw terminals will be supplied when ordering the standard Style Number as listed in Table 1, ex: 129A501G01. An optional clear cover will be supplied instead of the black cover by using Style Number prefix “C,” ex: C129A501G01. An FT-1X extended switch with clear cover will be supplied by using prefix “C” and suffix “X10”, ex: C129A501G01X10.

Optional stud and nut terminals are available for all FT switches. Style Number prefix “S” is used for this option, ex: S129A501G01. For optional clear cover with stud and nut terminals use Style Number prefix “CS”, ex: CS129A501G01.

For FT-1, FT-1F, FT-1X, and FT-14 switch requirements not matching an existing Style Number in Tables 1 & 3, select the Style Number that comes closest to the desired configuration and describe the new configuration as similar to the existing Style chosen.

Customers may also place an order by providing a complete Switch Arrangement definition.  
ex: **P X P C-C C-C C-C P** (P1 X0 P1 C1-C1 C1-C1 C1-C1 P1).

### Reference

- For a breakdown of FT-1 Current and Potential poles by Style Number see Table 2, pages 23 to 26.
- A Typical FT-1 Switch Connection Schematic is given in Figure 14, page 31.
- Refer to page 9 for FT-1, FT-1F, FT-1X and FT-14 Style Number examples, options, and ordering information.
- For rack mounted assemblies of FT-1 Switches, see Descriptive Bulletin 41-078, FT-19R and FT-19RX Flexitest Switch Assemblies. The typical FT-19R 19” panel can accommodate up to 3 FT-1 switches.
- To build new or view existing FT Switches and FT-19R panels, please visit our interactive FT-1 Configurator website @ <http://ft1switch.com/> (see page 7).





**FT Flexitest Switches - Ordering Information**

**FT-1**

**10 Pole - Flexitest Switch**



- Style Numbers are assigned by the factory. See Tables 1 & 2 (p.13 to p.26).
- Choose from available options by adding Style Prefix as shown.

Example Style Number

**1 2 9 A 5 0 1 G 0 1**

**Style Prefix**

- None = Black cover, screw terminals.
- S** = Black cover, stud & nut terminals.
- C** = Clear cover, screw terminals.
- CS** = Clear cover, stud & nut terminals.
- R** = FT-19R application, screw terminals.
- RS** = FT-19R application, stud & nut terminals.

**FT-1X**

**10 Pole - Extended Terminals**



- Style Numbers same as FT-1.
- Choose options (Style Prefix) same as FT-1.
- Choose extended length as shown below.

Example Style Number

**1 2 9 A 5 0 1 G 0 1 X 1 0**

**Style Prefix**

Same as FT-1

**Extended Length**

- X10** = 10 inches
- X08** = 8 inches

**FT-1F**

**10 Pole - Front Connected**



- Style Numbers are assigned by the factory. See Tables 1 & 2 (p.13 to p.26).
- Choose from available options by adding Style Prefix as shown.

Example Style Number

**F 1 2 9 A 5 0 1 G 0 1**

**Style Prefix**

- F** = Black cover, screw terminals.
- SF** = Black cover, stud & nut terminals.
- CF** = Clear cover, screw terminals.
- CSF** = Clear cover, stud & nut terminals

**FT-14**

**14 Pole Flexitest Switch**



(See Table 3, p.27)

**FT4 A 14 T 14 C N 4001**

**Base Type:**

FT4 = FT-14

**Depth:**

A = Standard depth (rear connected)

**No. of Poles:**

01-14 = Total number of poles used

**Terminals:**

T = Standard screw terminals  
S = Stud & nut terminals

**No. of Potentials:**

00-14 = Total number of Potential poles

**Cover:**

C = Clear cover  
B = Black cover

**Special Features:**

N = None

**Code No:**

4001-4999 = Unique Code Number assigned by the factory,

**Test Plugs**

**In-Service Series Test Plug**

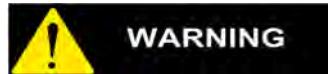
The “In-Service” Series Test Plug with a maximum of 10 positions is designed to match the pole configurations of specific styles of FT Flexitest devices (either FT-1, FT-1F, FT-1X switches or FT case relays).

This Test Plug is typically used to connect devices measuring the currents and voltages being applied to the switchboard relays, meters and instruments without interrupting or short-circuiting the circuit. Only current test switches with a current jack must be opened before inserting the Series Test Plug. Connections to the test plug must be made before inserting the test plug into an FT switch or relay.



Figure 6. In-Service Series Test Plug

Not every switch or relay pole configuration is suitable to accept an In-Service Series Test Plug. For available Styles, see Table 1, page 13, “TEST PLUG” column.



**When using an In-Service Series Test Plug for current measurements, connections from the Test Plug to the measuring instruments must be made before inserting the Test Plug in place.**

**Individual Current Circuit Test Plug**

The Individual Current Circuit Test Plug allows in service current measurement with an ammeter. It can be inserted in the current test jack of FT Flexitest devices after opening the knife blade switch. This plug consists of two conducting strips separated by an insulating strip. The ammeter is connected to these strips by terminal screws and leads carried out through holes in the back of the insulated handle. (See Figures 7 and 8.)



Figure 7. Individual Current Circuit Test Plug

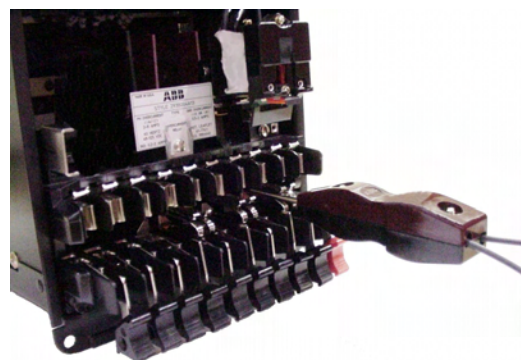


Figure 8. Individual Current Circuit Test Plug inserted in Flexitest Relay Case



**Connections from the Individual Current Circuit Test Plug to the measuring instrument must be made before inserting the Test Plug in place.**

The test plug inserts into the current test jack with the red part of the handle facing up allowing the alignment nipple and tab to guide the connector into the test jack.

### Separate Source Test Plug

The 10 Position Separate Source Test Plug isolates the external connections from the relay or equipment under test. The test plug accepts all common size banana plugs, ring wire connectors, spade lugs and has a through hole for meter probe or wire connections.

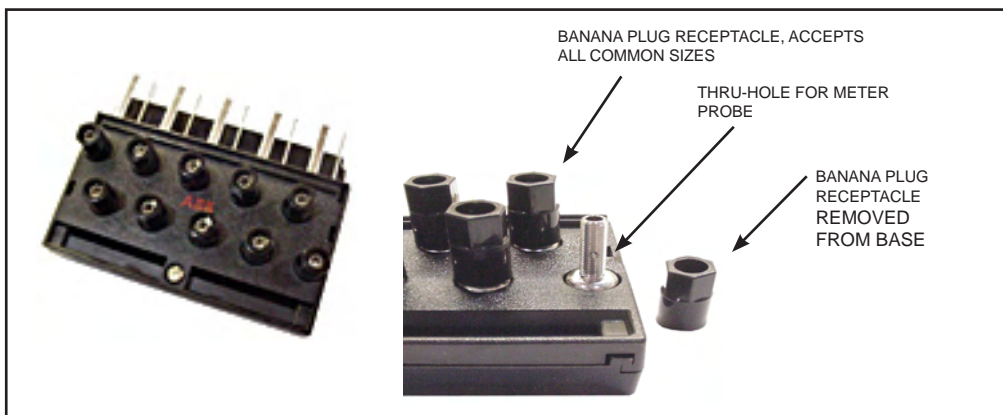


Figure 9. Separate Source Test Plug

This test plug provides quick circuit testing by fitting into the stationary contact jaws of any Flexitest Type FT Case or Switch. The L-shaped test blades assure quick, accurate alignment between the Test Plug and the stationary contact jaws. The blades connect the relay inputs and outputs to a set of binding banana posts on the top of the Test Plug. An insulated barrier along the bottom of the blades isolates the relay circuits from external connections. Test circuits can then be connected to these binding posts, which are staggered for easy accessibility.

Before inserting the Separate Source Test Plug into service, all switchblades must be placed in the full open position. In a Flexitest Type FT Case, the plug is inserted in the bottom switch jaw with the binding posts up and in the top test switch jaw with the binding posts down.



Figure 10. Separate Source Test Plug inserted in Flexitest Relay Case



**Provision is made only on current poles with shorting springs to automatically short-circuit current transformer circuits when the knife switches are opened prior to inserting the Test Plug.**

### FT Test Kit

The ABB FT test kit comes with a convenient carrying case to hold your hand held meter, test plugs, patch cords, test clips, and test probes in neat order. FT Test Kits can be ordered with your selected quantities of test plugs, patch cords, test clips, and test probes. Patch cords are highly durable and flexible. Contact your local ABB representative for a quotation.

To order the FT Test Kit with items shown shown here, use Style Number 9688A68G18. For more information see "Test Plugs & Accessories - Ordering Information" on page 12.



## Test Plugs &amp; Accessories - Ordering Information

Test Plugs		Style Number	
	In-Service Series Test Plug (Order to match Flexitest FT-1 Switch Arrangement or FT Relay Case)	See Table 1 (Page 13)	
	Individual Current Circuit Test Plug - leads <b>not</b> included	7B4618G04	
	Individual Current Circuit Test Plug - leads included †	7B4618G05 †	
	Separate Source Test Plug (10 position)	1164046	
	Separate Source Test Plug (14 position)	1355D32G04	
<b>Complete FT Test Kit</b> (Includes Red ABB Bag with 12 Year Warranty Logo)		<b>9688A68G18</b>	
	<b>Items in Test Kit 9688A68G18</b>	<b>Rated Voltage</b>	<b>Rated Current</b>
	1 Red 6' safety patch cord with retractable sleeve banana plug on both ends	600 VDC	32A
	1 Black 6' safety patch cord with retractable sleeve banana plug on both ends	600 VDC	32A
	1 Red 10' UTP cable with RJ-45 male connector on both ends.	600V	30A
	1 Red safety plug-on test probe	1000V	10A
	1 Black safety plug-on test probe	1000V	10A
	1 Red safety plug-on alligator test clip	1000V	10A
	1 Black safety plug-on alligator test clip	1000V	10A
	FT Separate Source Test Plug - 1164046	600V	30A
	FT Individual Series Test Plug - 7B4618G04	600V	30A
<b>Covers</b>		<b>FT-1</b>	<b>FT-14</b>
	Standard Cover - BLACK	128A973G01	128A973G03
	Standard Cover - CLEAR	9676A32G01	9676A32G02
	Lockable Cover w/ Locking Bar - BLACK	9669A49G01	9669A49G03
	Lockable Cover w/ Locking Bar - CLEAR	9669A49G02	9669A49G04
	Notched Cover - CLEAR <sup>∅</sup>	9654A08G01 <sup>∅</sup>	9654A08G03 <sup>∅</sup>
	Notched Cover - BLACK <sup>∅</sup>	9654A08G02 <sup>∅</sup>	9654A08G04 <sup>∅</sup>
<b>Interlocking Bars</b>		<b>FT-1</b>	<b>FT-14</b>
	2 Positions	1270547	9669A19G02
	3 Positions	1164048	9669A19G03
	4 Positions	02C9834G03	9669A19G04
	5 Positions	02C9834G04	9669A19G05
	6 Positions	02C9834G06	9669A19G06
	8 Positions	02C9834G07	9669A19G08
	10 Positions	02C9834G05	9669A19G10
14 Positions	NONE	9669A19G14	
<b>Miscellaneous</b>		<b>Style Number</b>	
	FT-1 & FT-14 Nut Driver For Stud & Nut Terminals	877A821G02	
	Unistrut Adapter Plate for Railmount of FT-1F (see Figure 12)	9666A15H01	

† = One red and one black lead included, each is 3' safety patch cord with retractable sleeve banana plug connector.

∅ = Bottom end of cover is notched to allow free hanging of identification tags from switch handles.

Table 1 - FT-1 Switch Selection Guide

POTENTIAL CURRENT	<2> <3> <4>										STYLE NO.	TEST PLUG
	A	B	C	D	E	F	G	H	I	J		
1 0	P	.	.	.	.	.	.	.	.	.	774B542G09	129A062G10
<b>2 Poles</b>	<b>A</b>	<b>B</b>	<b>C</b>	<b>D</b>	<b>E</b>	<b>F</b>	<b>G</b>	<b>H</b>	<b>I</b>	<b>J</b>	<b>STYLE NO.</b>	<b>TEST PLUG</b>
2 0	.	.	.	.	.	.	.	P	P	.	291B954G15	129A062G10
2 0	.	.	P	.	.	P	.	.	.	.	129A534G01	129A062G10
2 0	P	P	.	.	.	.	.	.	.	.	291B954G13	129A062G10
2 0	T	.	.	.	.	.	.	.	.	T	291B954G14	129A062G10
2 0	T	O	.	.	.	.	.	.	.	.	9688A46G01	129A062G10
2 0	T	T	.	.	.	.	.	.	.	.	291B954G16	129A062G10
2 0	Z	Z	.	.	.	.	.	.	.	.	9676A38G01	129A062G10
0 2	.	.	.	.	.	.	.	C-C	.	.	291B954G12	129A062G01
0 2	.	.	.	.	.	C-C	.	.	.	.	129A531G01	129A062G08
0 2	.	C-C	.	.	.	.	.	.	.	.	498A026G01	129A062G07
0 2	C-C	.	.	.	.	.	.	.	.	.	9689A74G01	129A062G07
<b>3 Poles</b>	<b>A</b>	<b>B</b>	<b>C</b>	<b>D</b>	<b>E</b>	<b>F</b>	<b>G</b>	<b>H</b>	<b>I</b>	<b>J</b>	<b>STYLE NO.</b>	<b>TEST PLUG</b>
3 0	.	.	.	.	.	.	.	P	P	P	716B871G11	129A062G10
3 0	.	.	P	P	P	.	.	.	.	.	716B871G09	129A062G10
3 0	.	.	T	T	T	.	.	.	.	.	9689A75G01	129A062G10
3 0	.	.	Z	Z	Z	.	.	.	.	.	9688A63G01	129A062G10
3 0	P	.	.	P	.	.	.	.	.	P	716B871G12	129A062G10
3 0	T	Y	O	.	.	.	.	.	.	.	991A939G01	129A062G10
1 2	C-C	.	.	.	.	.	.	.	T	.	9663A78G01	<1>
0 3	.	.	C	C	C	.	.	.	.	.	716B871G10	<1>
<b>4 Poles</b>	<b>A</b>	<b>B</b>	<b>C</b>	<b>D</b>	<b>E</b>	<b>F</b>	<b>G</b>	<b>H</b>	<b>I</b>	<b>J</b>	<b>STYLE NO.</b>	<b>TEST PLUG</b>
4 0	.	.	T	P	T	P	.	.	.	.	9676A26G01	129A062G10
4 0	.	.	T	T	T	P	.	.	.	.	9676A27G01	129A062G10
4 0	.	P	P	P	P	.	.	.	.	.	129A524G01	129A062G10
4 0	.	T	.	T	.	T	.	T	.	.	291B956G31	129A062G10
4 0	.	T	T	T	T	.	.	.	.	.	1586C39G01	129A062G10
4 0	.	T	T	T	T	.	.	.	.	.	291B956G32	129A062G10
4 0	.	Z	Z	Z	Z	.	.	.	.	.	9689A80G01	129A062G10
4 0	.	P	.	P	.	P	.	P	.	.	9688A64G01	129A062G10
4 0	P	.	.	.	.	.	.	P	P	P	129A506G01	129A062G10
4 0	P	.	P	.	.	P	.	.	P	.	291B956G24	129A062G10
4 0	P	.	P	P	P	.	.	.	.	.	291B956G25	129A062G10
4 0	P	.	T	.	.	Y	.	.	Z	.	9647A17G01	129A062G10
4 0	P	P	.	.	.	.	.	P	P	.	129A538G01	129A062G10
4 0	P	P	P	.	.	.	.	.	P	.	498A022G01	129A062G10
4 0	P	P	P	.	.	.	.	.	T	.	9663A80G01	129A062G10
4 0	P	P	P	P	.	.	.	.	.	.	9672A73G01	129A062G10
4 0	T	.	.	.	.	.	.	P	P	T	763A166G01	129A062G10
4 0	T	.	.	.	.	.	.	T	T	T	498A012G01	129A062G10
4 0	T	.	T	.	.	.	.	T	.	T	862A584G01	129A062G10
4 0	T	T	.	.	.	.	.	P	P	.	991A932G01	129A062G10
4 0	T	T	T	.	.	.	.	.	.	T	1586C39G02	129A062G10

POTENTIAL CURRENT	<2> <3> <4>										STYLE NO.	TEST PLUG
	A	B	C	D	E	F	G	H	I	J		
4 0	T	T	T	T	.	.	.	.	.	.	9688A79G01	129A062G10
3 1	P	P	C	.	.	.	.	.	P	.	291B956G26	<1>
3 1	P	P	P	S	.	.	.	.	.	.	9688A67G01	<1>
2 2	O	O	C-C	.	.	.	.	.	.	.	9688A25G01	<1>
2 2	P	.	.	.	.	.	.	C-C	P	.	129A507G01	129A062G01
2 2	P	P	.	.	.	.	.	C-C	.	.	291B956G18	129A062G01
2 2	P	P	C-C	.	.	.	.	.	.	.	291B956G30	<1>
2 2	T	.	.	.	.	.	.	C-C	P	.	9671A05G01	129A062G01
2 2	T	T	.	.	.	.	.	C-C	.	.	9676A36G01	129A062G01
2 2	W	W	.	.	.	.	.	C-C	.	.	9688A03G01	129A062G01
1 3	.	.	C	C	C	.	.	.	P	.	291B956G28	<1>
1 3	.	.	C-C	C	.	.	.	.	P	.	991A219G01	<1>
0 4	.	.	.	.	C-C	C	C	.	.	.	291B956G13	129A062G02
0 4	.	C	C	C	C	.	.	.	.	.	291B956G23	<1>
0 4	.	C-A	.	.	.	.	.	C-A	.	.	9666A12G01	<1>
0 4	.	C-C	.	.	C-C	.	.	.	.	.	763A109G01	<1>
0 4	.	C-C	C	C	.	.	.	.	.	.	498A027G01	129A062G09
0 4	C	C	C	C	.	.	.	.	.	.	291B956G27	<1>
0 4	C-A	C	A	.	.	.	.	.	.	.	9689A12G01	<1>
0 4	C-C	C	C	.	.	.	.	.	.	.	291B956G29	<1>
0 4	C-C	C	C	B	.	.	.	.	.	.	991A626G01	<1>
0 4	C-C	C	C	C	.	.	.	.	.	.	837A087G01	<1>
<b>5 Poles</b>	<b>A</b>	<b>B</b>	<b>C</b>	<b>D</b>	<b>E</b>	<b>F</b>	<b>G</b>	<b>H</b>	<b>I</b>	<b>J</b>	<b>STYLE NO.</b>	<b>TEST PLUG</b>
5 0	P	P	.	.	.	.	.	P	P	P	129A505G01	129A062G10
5 0	P	P	P	P	P	.	.	.	.	.	291B957G15	129A062G10
5 0	T	T	.	.	.	.	.	T	T	T	9676A37G01	129A062G10
5 0	T	Y	Z	W	P	.	.	.	.	.	9688A55G01	129A062G10
3 2	P	C	C	P	.	.	.	.	P	.	129A508G01	129A062G07
3 2	P	P	.	.	.	.	.	C-C	P	.	129A533G01	129A062G01
3 2	P	P	.	.	.	.	.	C-C	P	.	9666A95G01	129A062G01
3 2	P	P	.	C-C	.	.	.	.	P	.	291B957G17	<1>
3 2	P	P	P	C-C	.	.	.	.	.	.	291B957G16	<1>
3 2	T	P	.	.	.	.	.	C-C	T	.	291B957G09	129A062G01
1 4	.	C	C	.	C	.	C	.	P	.	498A002G01	<1>
1 4	C-C	C	C	C	.	.	.	.	P	.	9689A54G01	<1>
0 5	C	.	C	.	C	.	C	.	C	.	129A555G01	<1>
<b>6 Poles</b>	<b>A</b>	<b>B</b>	<b>C</b>	<b>D</b>	<b>E</b>	<b>F</b>	<b>G</b>	<b>H</b>	<b>I</b>	<b>J</b>	<b>STYLE NO.</b>	<b>TEST PLUG</b>
6 0	.	.	P	P	P	P	P	P	P	.	188A416G01	129A062G10
6 0	P	P	.	.	.	.	.	P	P	P	837A889G01	129A062G10
6 0	P	P	.	P	P	.	.	P	P	.	629A568G01	129A062G10
6 0	P	P	P	.	.	.	.	P	P	P	129A504G01	129A062G10
6 0	P	P	P	P	.	.	.	P	P	.	129A550G01	129A062G10
6 0	P	P	P	P	P	P	.	.	.	.	291B958G25	129A062G10
6 0	P	P	T	.	.	.	.	T	T	T	1586C40G01	129A062G10
6 0	T	T	T	T	.	.	.	P	P	.	9683A81G01	129A062G10

Table 1 - FT-1 Switch Selection Guide (continued)

POTENTIAL CURRENT	<2> <3> <4>										STYLE NO.	TEST PLUG
	A	B	C	D	E	F	G	H	I	J		
6 0	T	T	T	T	.	.	.	.	T	T	291B958G33	129A062G10
6 0	T	T	T	T	T	T	.	.	.	.	9676A65G01	129A062G10
6 0	T	Y	O	.	.	.	.	O	Y	T	9688A40G01	129A062G10
6 0	W	W	.	.	P	P	.	.	W	W	9688A04G01	129A062G10
6 0	Y	Y	Y	Y	.	.	.	.	Y	Y	9669A31G01	129A062G10
6 0	Z	Z	Z	P	P	.	.	.	.	P	9666A39G01	129A062G10
4 2	P	.	.	.	.	P	P	C-C	P	.	129A509G01	129A062G01
4 2	P	P	P	P	R-R	.	.	.	.	.	9667A02G01	<1>
4 2	T	T	.	.	.	P	P	.	C-C	.	9672A03G01	<1>
3 3	P	P	.	.	.	.	C	C	C	P	291B958G24	<1>
3 3	P	P	.	.	.	.	C	C-C	P	.	129A543G01	129A062G02
3 3	P	P	P	.	.	.	C	C	C	.	9676A19G01	<1>
2 4	.	.	.	C-C	C-C	P	P	.	.	.	291B958G30	129A062G12
2 4	P	.	.	.	C-C	C-C	P	.	.	.	129A537G01	129A062G02
2 4	P	.	.	.	P	C-C	C-C	.	.	.	291B958G31	<1>
2 4	P	.	.	C	C	C	C	.	.	P	291B958G27	<1>
0 6	.	.	.	C-C	C-C	C-C	.	.	.	.	9672A72G01	<1>
0 6	.	.	.	R-R	7-7	8-8	.	.	.	.	9688A43G01	<1>
0 6	.	.	.	R-R	8-8	7-7	.	.	.	.	9688A30G01	<1>
0 6	.	.	8-8	8-8	8-8	.	.	.	.	.	9689A78G01	292B319G23
0 6	.	.	C	C	C	C	C	C	.	.	188A454G01	<1>
0 6	.	.	C-A	C-A	C-A	.	.	.	.	.	291B958G26	<1>
0 6	.	.	C-A	C-A	C-C	.	.	.	.	.	291B958G29	<1>
0 6	.	.	C-B	C-B	C-B	.	.	.	.	.	498A017G01	<1>
0 6	.	.	C-C	C-C	C-C	.	.	.	.	.	129A516G01	292B319G23
0 6	.	.	R-R	R-R	R-R	.	.	.	.	.	291B958G28	292B319G23
0 6	.	C	C	C	C	C	C	.	.	.	129A523G01	<1>
0 6	.	6-6	.	7-7	.	9-9	.	.	.	.	9666A83G01	<1>
0 6	.	C-C	.	C-C	.	C-C	.	.	.	.	498A014G01	<1>
0 6	.	C-C	C-C	C-C	.	.	.	.	.	.	9683A76G01	<1>
0 6	C	.	C	.	C	.	C	C	C	.	188A304G01	<1>
0 6	C-C	.	C-C	.	C-C	.	.	.	.	.	9689A23G01	<1>
0 6	C-C	C-C	C-C	.	.	.	.	.	.	.	9660A97G01	<1>
<b>7</b>												
Poles	A	B	C	D	E	F	G	H	I	J	STYLE NO.	TEST PLUG
7 0	.	.	T	T	T	T	T	T	T	T	9688A99G01	129A062G10
7 0	.	P	P	P	P	P	P	.	.	.	129A526G01	129A062G10
7 0	P	.	P	P	P	.	P	P	P	.	129A503G01	129A062G10
7 0	P	.	P	P	P	P	P	.	P	.	291B959G19	129A062G10
7 0	P	P	P	.	.	P	P	P	P	.	129A547G01	129A062G10
7 0	P	P	P	.	.	P	P	P	P	.	291B959G30	129A062G10
7 0	P	P	P	P	.	.	P	P	P	.	498A013G01	129A062G10
7 0	P	P	P	P	P	.	.	T	.	.	9663A79G01	129A062G10
7 0	P	P	P	P	P	P	.	.	.	.	291B959G28	129A062G10
7 0	T	.	P	P	P	.	P	P	T	.	763A168G01	129A062G10
7 0	T	T	P	.	.	P	P	P	P	.	291B959G33	129A062G10
5 2	P	C-C	P	.	.	P	P	P	.	.	188A261G01	129A062G07

POTENTIAL CURRENT	<2> <3> <4>										STYLE NO.	TEST PLUG
	A	B	C	D	E	F	G	H	I	J		
5 2	P	P	.	.	C-C	P	P	P	.	.	129A510G01	129A062G08
5 2	P	P	P	P	P	.	.	C-C	.	.	291B959G27	<1>
5 2	P	P	P	P	P	.	.	C-C	.	.	291B959G18	129A062G01
5 2	T	P	.	.	P	P	C-C	T	.	.	188A622G01	129A062G01
5 2	T	T	.	.	R-R	T	T	T	.	.	9667A17G01	129A062G08
4 3	P	P	C	.	C	.	C	.	P	P	188A477G01	292B319G24
3 4	P	C	C	.	C	.	C	.	P	P	188A618G01	<1>
3 4	P	C-C	.	P	.	C-C	.	P	.	.	9688A83G01	<1>
3 4	P	P	.	.	C-C	C-C	P	.	.	.	129A511G01	129A062G02
3 4	P	P	P	.	C-C	C-C	.	.	.	.	498A008G01	129A062G02
3 4	T	C-C	T	C-C	T	.	.	.	.	.	291B959G26	<1>
3 4	T	T	T	.	.	C	C	C	C	.	291B959G32	<1>
3 4	T	T	T	.	C-C	C-C	.	.	.	.	291B959G20	129A062G02
3 4	T	T	T	.	C-C	.	.	C-C	.	.	9676A79G01	<1>
2 5	C-C	C-C	C-C	T	T	.	.	.	.	.	9682A43G01	<1>
1 6	.	.	C-C	C-C	C-C	T	.	.	.	.	498A003G01	292B319G23
1 6	C-C	C-C	C-C	.	.	T	.	.	.	.	9663A77G01	<1>
1 6	P	C-C	C-B	C-B	.	.	.	.	.	.	129A540G01	<1>
1 6	T	.	R-R	8-8	7-7	.	.	.	.	.	991A936G01	<1>
0 7	.	C	C-C	C-C	C-C	.	.	.	.	.	291B959G29	292B319G22
0 7	C-C	C-C	C-C	C	.	.	.	.	.	.	9676A24G01	<1>
<b>8</b>												
Poles	A	B	C	D	E	F	G	H	I	J	STYLE NO.	TEST PLUG
8 0	.	P	P	P	P	P	P	P	P	.	291B960G37	129A062G10
8 0	O	O	O	O	O	O	O	O	.	.	9689A95G01	129A062G10
8 0	P	.	P	P	P	P	P	P	P	.	129A549G01	129A062G10
8 0	P	P	.	P	P	.	P	P	P	P	9689A22G01	129A062G10
8 0	P	P	P	.	P	P	P	P	P	.	719B591G09	129A062G10
8 0	P	P	P	.	P	P	.	P	P	P	291B960G39	129A062G10
8 0	P	P	P	P	.	P	P	P	P	.	129A502G01	129A062G10
8 0	P	P	P	P	.	P	P	P	T	.	129A536G01	129A062G10
8 0	P	P	P	P	P	.	P	P	P	.	129A546G01	129A062G10
8 0	P	P	P	P	P	.	P	T	T	.	719B591G14	129A062G10
8 0	P	P	P	P	P	.	T	T	.	.	9683A80G01	129A062G10
8 0	P	P	P	P	P	P	P	P	.	.	719B591G10	129A062G10
8 0	T	T	.	Z	Z	Z	Z	Z	Z	.	9689A90G01	129A062G10
8 0	T	T	T	.	T	O	O	G	G	.	9689A76G01	129A062G10
8 0	T	T	T	T	.	T	T	T	T	.	9683A10G01	129A062G10
8 0	T	T	T	T	T	.	T	T	T	.	719B591G12	129A062G10
8 0	T	T	T	T	T	.	T	T	.	.	991A937G01	129A062G10
6 2	O	O	C-C	.	.	Z	Z	Z	Z	.	9683A71G01	<1>
6 2	P	P	P	.	C-C	P	P	P	.	.	291B960G26	129A062G08
6 2	P	P	P	P	P	.	C-C	P	.	.	188A632G01	129A062G01
6 2	P	P	P	P	P	.	C-C	.	.	.	291B960G36	<1>
6 2	T	.	P	P	P	P	C-C	T	.	.	763A167G01	129A062G01
6 2	W	W	W	W	W	.	C-C	.	.	.	9689A16G01	<1>
4 4	.	P	P	P	C-C	C-C	P	.	.	.	629A315G01	129A062G02

Table 1 - FT-1 Switch Selection Guide (continued)

POTENTIAL CURRENT	<2> <3> <4>										STYLE NO.	TEST PLUG
	A	B	C	D	E	F	G	H	I	J		
4 4	C	C	C	C	.	.	P	P	P	P	719B591G13	<1>
4 4	C	C	C	C	.	P	P	P	P	.	719B591G11	<1>
4 4	C	C	C	C	W	W	W	W	.	.	9669A32G01	<1>
4 4	P	C	C	P	.	.	P	C	C	P	129A512G01	129A062G06
4 4	P	P	.	C	C	C	C	.	P	P	498A016G01	<1>
4 4	P	P	.	C	C	C	C	.	P	P	129A530G01	129A062G12
4 4	P	P	P	P	.	C	C	C	C	.	129A544G01	129A062G02
3 5	T	P	.	.	C	C	C	C	C	T	291B960G27	292B319G23
2 6	.	C	C	C	C	C	C	.	P	P	9667A21G01	<1>
2 6	.	C	C	C	C	C	C	.	P	P	129A521G01	129A062G09
2 6	.	C	C	C	C	C	C	.	T	T	9683A22G01	129A062G09
2 6	.	C	C	C	C	C	C	P	P	.	129A525G01	129A062G09
2 6	C	B	C	B	C	B	.	.	P	P	291B960G38	<1>
2 6	C	C	C	C	C	C	.	.	T	T	991A938G01	<1>
2 6	T	T	.	.	C	C	C	C	C	C	9668A69G01	<1>
2 6	Z	Z	.	.	C	C	C	C	C	C	9688A65G01	<1>
1 7	C	.	.	C	B	C	B	C	B	P	498A018G01	<1>
1 7	P	.	C	C	C	C	C	C	C	.	498A019G01	292B319G22
0 8	.	C	C	C	C	C	C	C	C	.	498A004G01	<1>
0 8	.	C	C	C	C	C	C	C	C	.	129A517G01	292B319G22
0 8	.	C	C	C	B	.	C	C	C	B	498A029G01	<1>
0 8	.	C	C	C	B	C	C	C	B	.	291B960G20	<1>
0 8	.	C	C	C	C	C	C	C	C	.	291B960G33	<1>
0 8	.	R	R	R	R	R	R	R	R	.	9660A84G01	292B319G22
0 8	5	5	.	.	R	R	7	7	8	8	9688A42G01	<1>
0 8	5	5	5	A	.	.	5	5	5	A	9689A27G01	<1>
0 8	6	6	R	R	5	5	.	.	8	8	9666A78G01	<1>
0 8	C	C	C	C	.	.	C	C	C	C	188A229G01	<1>
0 8	C	C	.	.	C	C	C	C	C	C	9672A10G01	<1>
0 8	C	C	C	C	C	C	.	.	C	C	1586C41G01	<1>
0 8	C	C	C	C	C	C	C	.	.	.	9689A20G01	<1>
0 8	C	C	C	A	.	.	C	C	C	A	9683A93G01	<1>
0 8	C	C	C	A	C	C	C	B	.	.	837A099G01	<1>
0 8	C	C	C	B	.	.	C	C	C	B	498A025G01	<1>
0 8	C	C	C	C	.	.	C	C	C	C	9666A85G01	<1>
0 8	C	C	C	C	C	C	C	B	.	.	837A098G01	<1>
0 8	D	D	D	C	C	C	C	S	.	.	9688A70G01	<1>
<b>9</b>												
<b>Poles</b>	<b>A</b>	<b>B</b>	<b>C</b>	<b>D</b>	<b>E</b>	<b>F</b>	<b>G</b>	<b>H</b>	<b>I</b>	<b>J</b>	<b>STYLE NO.</b>	<b>TEST PLUG</b>
9 0	P	P	.	P	P	P	P	P	P	P	129A548G01	129A062G10
9 0	P	P	P	P	.	P	P	P	P	P	129A551G01	129A062G10
9 0	P	P	P	P	.	T	T	T	T	T	9682A44G01	129A062G10
9 0	P	P	P	P	P	P	P	P	P	P	9689A21G01	129A062G10
9 0	T	T	T	T	T	T	T	.	O	T	991A940G01	129A062G10
9 0	T	T	T	T	T	T	T	T	.	T	9688A45G01	129A062G10
6 3	P	P	P	C	C	C	P	P	P	.	291B961G23	<1>
6 3	P	P	P	P	.	C	C	C	P	.	291B961G30	<1>

POTENTIAL CURRENT	<2> <3> <4>										STYLE NO.	TEST PLUG
	A	B	C	D	E	F	G	H	I	J		
6 3	P	P	P	P	P	.	C	C	C	P	129A552G01	129A062G02
6 3	P	P	P	P	P	.	C	C	C	P	629A483G01	<1>
5 4	P	P	P	P	.	C	C	C	C	P	188A633G01	129A062G02
5 4	P	P	P	P	P	.	C	C	C	C	291B961G22	<1>
5 4	P	P	P	P	P	P	C	C	C	C	291B961G28	<1>
5 4	P	P	P	P	P	P	C	C	C	C	129A545G01	129A062G02
4 5	P	P	P	P	.	C	C	C	C	B	498A028G01	<1>
4 5	P	P	P	P	.	C	C	C	C	E	9689A10G01	<1>
3 6	.	T	C	C	T	C	C	T	C	C	9663A34G01	<1>
3 6	P	C	C	P	C	C	P	C	C	.	861A551G01	<1>
3 6	P	P	.	C	C	C	C	C	P	.	129A515G01	292B319G23
3 6	P	P	P	.	C	C	C	C	C	B	498A024G01	<1>
3 6	P	P	P	C	C	C	C	.	C	C	291B961G27	<1>
3 6	P	P	P	C	C	C	C	C	.	.	291B961G29	292B319G23
3 6	T	T	.	C	C	C	C	C	T	.	9663A74G01	292B319G23
3 6	T	T	O	.	R	R	8	8	7	7	9689A56G01	<1>
3 6	T	T	T	.	R	R	8	8	7	7	9689A57G01	<1>
2 7	P	P	.	C	B	C	B	C	B	S	291B961G26	<1>
1 8	.	C	C	C	C	C	C	C	T	.	498A009G01	292B319G22
1 8	T	.	C	C	C	C	C	C	C	.	9668A70G01	<1>
0 9	.	C	C	B	C	C	B	C	C	B	498A023G01	<1>
0 9	C	C	C	C	C	C	C	C	C	.	498A021G01	<1>
0 9	C	C	C	C	C	C	C	.	C	C	9676A25G01	<1>
<b>10</b>												
<b>Poles</b>	<b>A</b>	<b>B</b>	<b>C</b>	<b>D</b>	<b>E</b>	<b>F</b>	<b>G</b>	<b>H</b>	<b>I</b>	<b>J</b>	<b>STYLE NO.</b>	<b>TEST PLUG</b>
10 0	G	G	G	G	G	G	G	G	G	G	9688A58G01	129A062G10
10 0	G	G	G	G	G	G	G	G	Y	Y	9689A62G01	129A062G10
10 0	G	G	G	G	G	G	T	G	T	T	9689A37G01	129A062G10
10 0	G	G	G	G	G	G	T	T	T	T	9688A57G01	129A062G10
10 0	G	G	G	G	G	O	O	O	O	O	9666A73G01	129A062G10
10 0	G	G	G	G	G	Y	Y	Y	Y	Y	9688A26G01	129A062G10
10 0	G	G	G	G	G	Z	Z	Z	Z	Z	9683A88G01	129A062G10
10 0	G	G	G	G	P	P	T	T	T	T	9688A56G01	129A062G10
10 0	G	G	G	G	Y	Y	Y	T	T	T	991A623G01	129A062G10
10 0	G	G	G	G	Y	Y	Y	Y	Y	Y	9683A69G01	129A062G10
10 0	G	G	Y	Y	Y	Y	Y	Y	Y	Y	9682A77G01	129A062G10
10 0	G	O	O	O	O	O	O	O	O	O	9682A57G01	129A062G10
10 0	G	T	T	G	T	T	T	T	T	T	9689A65G01	129A062G10
10 0	G	T	T	T	T	T	T	T	G	T	9682A42G01	129A062G10
10 0	G	T	T	T	T	T	T	T	T	T	9689A59G01	129A062G10
10 0	G	Y	T	T	T	G	T	T	T	T	9689A99G01	129A062G10
10 0	O	G	O	P	P	P	P	P	P	P	9688A13G01	129A062G10
10 0	O	O	O	O	O	O	O	O	O	O	9672A97G01	129A062G10
10 0	O	O	O	O	O	Y	Y	Y	Y	Y	9688A08G01	129A062G10
10 0	O	O	O	O	O	Z	Z	Z	Z	Z	9666A58G01	129A062G10
10 0	O	O	T	T	T	T	P	P	P	P	9683A61G01	129A062G10
10 0	O	W	Z	Z	G	W	Y	Y	W	W	9683A18G01	129A062G10

Table 1 - FT-1 Switch Selection Guide (continued)

POTENTIAL CURRENT	<2> <3> <4>										STYLE NO.	TEST PLUG
	A	B	C	D	E	F	G	H	I	J		
10 0	P	P	G	Y	T	T	T	T	G	G	9669A37G01	129A062G10
10 0	P	P	P	P	G	T	T	P	P	P	9666A50G01	129A062G10
10 0	P	P	P	P	G	T	T	T	P	P	9666A49G01	129A062G10
10 0	P	P	P	P	O	O	O	O	O	O	9666A62G01	129A062G10
10 0	P	P	P	P	P	O	O	T	T		9688A90G01	129A062G10
10 0	P	P	P	P	P	P	P	P	O		991A621G01	129A062G10
10 0	P	P	P	P	P	P	P	P	P		129A501G01	129A062G10
10 0	P	P	P	P	P	P	P	P	T		774B430G19	129A062G10
10 0	P	P	P	P	P	P	P	P	W		991A930G01	129A062G10
10 0	P	P	P	P	P	P	P	T	P		9676A88G01	129A062G10
10 0	P	P	P	P	P	P	P	T	T		1586C42G23	129A062G10
10 0	P	P	P	P	P	P	P	Z	Z		9671A94G01	129A062G10
10 0	P	P	P	P	P	P	T	T	P		9672A77G01	129A062G10
10 0	P	P	P	P	P	P	T	T	T		1586C42G25	129A062G10
10 0	P	P	P	P	P	P	W	P	P		9682A83G01	129A062G10
10 0	P	P	P	P	P	T	P	P	P		1586C42G29	129A062G10
10 0	P	P	P	P	P	T	P	P	T		9676A08G01	129A062G10
10 0	P	P	P	P	P	T	P	T	P		9672A75G01	129A062G10
10 0	P	P	P	P	P	T	P	T	T		1586C42G30	129A062G10
10 0	P	P	P	P	P	T	T	T	P		9672A98G01	129A062G10
10 0	P	P	P	P	P	T	T	T	T		9672A71G01	129A062G10
10 0	P	P	P	P	P	Z	Z	G	T		9688A59G01	129A062G10
10 0	P	P	P	P	P	Z	Z	Z	Z		9671A95G01	129A062G10
10 0	P	P	P	P	T	P	T	P	T		9676A97G01	129A062G10
10 0	P	P	P	P	T	T	T	T	T		1586C42G24	129A062G10
10 0	P	P	P	P	T	T	T	T	T		670B197G21	129A062G10
10 0	P	P	P	P	T	G	T	G	P		991A931G01	129A062G10
10 0	P	P	P	P	T	P	P	P	P		9688A16G01	129A062G10
10 0	P	P	P	P	T	P	P	P	P		9688A96G01	129A062G10
10 0	P	P	P	P	T	P	P	T	P		9667A06G01	129A062G10
10 0	P	P	P	P	T	P	T	P	T		9682A71G01	129A062G10
10 0	P	P	P	P	T	P	T	T	T		1586C42G28	129A062G10
10 0	P	P	P	P	T	T	P	P	P		9688A95G01	129A062G10
10 0	P	P	P	P	T	T	T	P	P		9676A14G01	129A062G10
10 0	P	P	P	P	T	T	T	T	P		9688A28G01	129A062G10
10 0	P	P	P	P	T	T	T	T	P		9688A15G01	129A062G10
10 0	P	P	P	P	T	T	T	T	T		670B197G26	129A062G10
10 0	P	P	P	P	W	T	T	T	T		9683A95G01	129A062G10
10 0	P	P	P	T	P	P	P	P	P		9689A79G01	129A062G10
10 0	P	P	P	T	T	P	T	T	T		9666A61G01	129A062G10
10 0	P	P	P	T	T	T	T	T	P		9672A74G01	129A062G10
10 0	P	P	P	T	T	T	T	T	T		9689A32G01	129A062G10
10 0	P	P	T	P	P	P	P	P	P		9676A90G01	129A062G10
10 0	P	P	T	P	T	P	P	P	P		1586C42G15	129A062G10
10 0	P	P	T	T	P	P	P	O	O		9682A45G01	129A062G10
10 0	P	P	T	T	P	P	P	P	P		9666A80G01	129A062G10
10 0	P	P	T	T	P	P	T	T	T		9689A97G01	129A062G10

POTENTIAL CURRENT	<2> <3> <4>										STYLE NO.	TEST PLUG
	A	B	C	D	E	F	G	H	I	J		
10 0	P	P	T	T	T	T	P	P	P	P	991A224G01	129A062G10
10 0	P	P	T	T	T	T	P	P	T	T	9652A29G01	129A062G10
10 0	P	P	T	T	T	T	T	P	P	P	9664A98G01	129A062G10
10 0	P	P	T	T	T	T	T	T	P	P	9664A97G01	129A062G10
10 0	P	P	T	T	T	T	T	T	T	T	670B197G24	129A062G10
10 0	P	P	W	W	P	P	P	Y	Y		9669A34G01	129A062G10
10 0	P	P	Y	Y	Y	W	W	W	W		9682A76G01	129A062G10
10 0	P	T	P	P	P	P	P	P	T		9688A20G01	129A062G10
10 0	P	T	P	P	P	P	P	T	T		9688A19G01	129A062G10
10 0	P	T	P	P	T	P	P	T	P		9668A27G01	129A062G10
10 0	P	T	P	P	T	T	P	P	T	P	9667A03G01	129A062G10
10 0	P	T	P	T	P	P	T	P	T	P	9670A98G01	129A062G10
10 0	P	T	T	P	P	P	P	P	P		9671A69G01	129A062G10
10 0	P	T	T	P	P	P	T	T	T		9688A18G01	129A062G10
10 0	P	T	T	T	P	P	T	T	P		9676A53G01	129A062G10
10 0	P	T	T	T	T	T	T	T	T		9688A17G01	129A062G10
10 0	P	T	W	Z	P	P	T	W	Z	P	9683A97G01	129A062G10
10 0	P	W	T	G	O	Z	T	T	T	T	9688A84G01	129A062G10
10 0	P	Y	P	P	P	P	P	P	P	P	991A229G01	129A062G10
10 0	P	Y	P	Y	P	P	Z	Z	T	T	991A225G01	129A062G10
10 0	P	Y	T	T	T	T	P	P	P	P	991A223G01	129A062G10
10 0	P	Y	T	T	T	T	T	P	P		991A228G01	129A062G10
10 0	T	G	T	Z	Z	Z	Z	Z	Z		9688A12G01	129A062G10
10 0	T	O	Y	T	Z	O	O	T	Y	T	9688A44G01	129A062G10
10 0	T	P	P	P	P	P	P	P	P	P	1586C42G31	129A062G10
10 0	T	P	P	P	P	P	P	P	T		670B197G36	129A062G10
10 0	T	P	P	P	P	P	P	P	W		9664A92G01	129A062G10
10 0	T	P	P	P	P	P	P	T	T		9682A59G01	129A062G10
10 0	T	P	P	P	P	T	P	P	P		9667A93G01	129A062G10
10 0	T	P	P	P	P	T	T	T	T	P	9682A72G01	129A062G10
10 0	T	P	P	T	P	P	P	P	P	P	9670A35G01	129A062G10
10 0	T	P	P	T	P	P	P	T	T		9682A73G01	129A062G10
10 0	T	P	P	T	P	P	T	P	P	P	9670A34G01	129A062G10
10 0	T	P	P	T	P	P	T	P	P	T	9670A97G01	129A062G10
10 0	T	P	T	P	P	P	P	P	P		1586C42G06	129A062G10
10 0	T	P	T	P	P	P	P	T	T		9682A79G01	129A062G10
10 0	T	P	T	P	P	P	P	T	P	T	1586C42G46	129A062G10
10 0	T	P	T	P	T	P	P	P	P	P	9676A87G01	129A062G10
10 0	T	P	T	P	T	P	T	P	P	P	9676A89G01	129A062G10
10 0	T	P	T	P	T	P	T	P	T	P	9668A54G01	129A062G10
10 0	T	P	T	T	T	P	T	P	T	P	9676A34G01	129A062G10
10 0	T	T	G	G	G	G	G	G	G		9689A49G01	129A062G10
10 0	T	T	G	G	G	T	T	T	T		9689A50G01	129A062G10
10 0	T	T	G	O	T	T	T	T	T		9682A41G01	129A062G10
10 0	T	T	G	T	T	T	T	T	T		9676A72G01	129A062G10
10 0	T	T	O	O	Y	Y	T	T	G	G	9688A10G01	129A062G10
10 0	T	T	P	P	P	P	P	P	P	P	1586C42G45	129A062G10



Table 1 - FT-1 Switch Selection Guide (continued)

POTENTIAL CURRENT	<2> <3> <4>										STYLE NO.	TEST PLUG
	A	B	C	D	E	F	G	H	I	J		
10 0	T	T	P	P	P	P	P	P	P	T	9667A78G01	129A062G10
10 0	T	T	P	P	P	P	P	P	P	W	991A814G01	129A062G10
10 0	T	T	P	P	P	P	P	P	T	P	9682A70G01	129A062G10
10 0	T	T	P	P	P	P	P	T	T	T	1586C42G41	129A062G10
10 0	T	T	P	P	P	P	T	T	P	P	9660A92G01	129A062G10
10 0	T	T	P	P	P	P	T	T	T	T	991A220G01	129A062G10
10 0	T	T	P	P	P	T	T	P	P	P	9671A68G01	129A062G10
10 0	T	T	P	P	T	P	P	P	P	P	9666A93G01	129A062G10
10 0	T	T	P	P	T	T	P	P	T	T	9667A86G01	129A062G10
10 0	T	T	P	P	T	T	P	T	P	T	991A221G01	129A062G10
10 0	T	T	T	G	G	T	P	P	Z	Z	9689A70G01	129A062G10
10 0	T	T	T	G	Y	Z	Y	O	O	Y	9666A52G01	129A062G10
10 0	T	T	T	O	O	O	O	O	O	O	9666A45G01	129A062G10
10 0	T	T	T	O	O	O	O	O	O	O	9682A35G01	129A062G10
10 0	T	T	T	P	P	P	P	P	P	P	9676A84G01	129A062G10
10 0	T	T	T	P	P	P	P	T	T	T	9663A25G01	129A062G10
10 0	T	T	T	P	P	P	T	T	P	P	991A222G01	129A062G10
10 0	T	T	T	P	P	P	W	P	P	T	991A929G01	129A062G10
10 0	T	T	T	P	T	T	P	T	P	T	991A230G01	129A062G10
10 0	T	T	T	P	Y	Y	Y	P	O	P	9682A38G01	129A062G10
10 0	T	T	T	T	O	O	O	O	O	O	9682A62G01	129A062G10
10 0	T	T	T	T	P	P	P	P	P	P	670B197G31	129A062G10
10 0	T	T	T	T	P	P	P	P	T	T	9682A60G01	129A062G10
10 0	T	T	T	T	P	P	T	T	T	T	9689A31G01	129A062G10
10 0	T	T	T	T	P	P	W	P	P	P	991A302G01	129A062G10
10 0	T	T	T	T	T	P	P	P	P	P	9671A13G01	129A062G10
10 0	T	T	T	T	T	T	G	G	O	O	9682A31G01	129A062G10
10 0	T	T	T	T	T	T	P	P	P	P	716B562G10	129A062G10
10 0	T	T	T	T	T	T	P	P	T	P	9666A65G01	129A062G10
10 0	T	T	T	T	T	T	P	P	Z	Z	9689A69G01	129A062G10
10 0	T	T	T	T	T	T	O	T	T	T	9689A60G01	129A062G10
10 0	T	T	T	T	T	T	P	P	P	P	9666A76G01	129A062G10
10 0	T	T	T	T	T	T	T	O	O	O	9682A66G01	129A062G10
10 0	T	T	T	T	T	T	T	P	P	P	1586C42G44	129A062G10
10 0	T	T	T	T	T	T	T	T	P	P	9666A43G01	129A062G10
10 0	T	T	T	T	T	T	T	T	T	T	129A539G01	129A062G10
10 0	T	T	T	T	T	T	T	T	T	W	9682A30G01	129A062G10
10 0	T	T	T	T	T	T	T	T	W	W	9682A67G01	129A062G10
10 0	T	T	T	T	T	T	T	W	W	W	9682A32G01	129A062G10
10 0	T	T	T	T	T	T	V	V	V	V	9682A90G01	129A062G10
10 0	T	T	T	T	T	T	Y	Y	Y	Y	9683A03G01	129A062G10
10 0	T	T	T	T	T	T	Z	Z	O	O	9682A96G01	129A062G10
10 0	T	T	T	T	T	T	Z	Z	Z	Z	9672A02G01	129A062G10
10 0	T	T	T	T	T	Z	Z	Z	Z	Z	9683A06G01	129A062G10
10 0	T	T	T	T	W	W	W	W	W	W	9682A99G01	129A062G10
10 0	T	T	T	Z	T	T	T	T	T	T	9664A79G01	129A062G10
10 0	T	T	T	Z	Z	Z	G	G	G	G	9689A61G01	129A062G10

POTENTIAL CURRENT	<2> <3> <4>										STYLE NO.	TEST PLUG
	A	B	C	D	E	F	G	H	I	J		
10 0	T	T	T	T	Z	Z	Z	Z	Z	Z	9688A93G01	129A062G10
10 0	T	T	T	Y	P	P	P	P	P	P	9676A74G01	129A062G10
10 0	T	T	T	Z	Z	T	T	T	T	T	9664A78G01	129A062G10
10 0	T	T	Y	P	P	P	P	P	P	P	9676A73G01	129A062G10
10 0	T	T	Y	Z	Z	Z	Z	T	P	P	9689A08G01	129A062G10
10 0	T	T	Z	Z	P	P	T	G	O	G	9664A88G01	129A062G10
10 0	T	T	Z	Z	T	T	T	T	T	T	9682A29G01	129A062G10
10 0	T	T	Z	Z	T	T	T	T	T	T	9682A37G01	129A062G10
10 0	T	T	Z	Z	Z	Z	Z	Z	Z	Z	9652A26G01	129A062G10
10 0	T	W	P	P	P	P	P	P	P	P	9666A47G01	129A062G10
10 0	T	W	P	W	T	T	W	P	W	T	991A303G01	129A062G10
10 0	T	W	W	W	P	P	P	P	P	P	9682A52G01	129A062G10
10 0	T	Y	Z	P	P	P	P	O	O	O	9666A36G01	129A062G10
10 0	T	Y	Z	T	Y	Z	T	Y	Z	P	9689A40G01	129A062G10
10 0	T	Y	Z	W	G	G	G	G	G	G	9689A36G01	129A062G10
10 0	T	Y	Z	W	G	G	G	G	P	P	9688A54G01	129A062G10
10 0	T	Y	Z	W	P	P	P	G	G	G	9688A52G01	129A062G10
10 0	T	Y	Z	W	P	P	P	P	P	P	9688A53G01	129A062G10
10 0	T	Y	Z	W	T	Y	Z	W	P	P	9666A13G01	129A062G10
10 0	T	Z	P	O	T	G	W	P	O	G	9664A84G01	129A062G10
10 0	W	W	O	O	Y	Y	Z	Z	Y	W	9647A22G01	129A062G10
10 0	W	W	P	P	G	G	P	P	P	P	9669A33G01	129A062G10
10 0	W	W	P	P	P	P	P	P	P	P	991A232G01	129A062G10
10 0	W	W	T	T	T	G	P	P	P	P	9647A21G01	129A062G10
10 0	W	W	T	T	Y	Z	Y	O	O	P	9666A53G01	129A062G10
10 0	W	W	T	T	Y	Z	Y	O	O	Y	9649A37G01	129A062G10
10 0	W	W	W	T	T	T	T	T	T	T	9641A64G01	129A062G10
10 0	W	W	W	W	W	W	W	W	T	T	9646A77G01	129A062G10
10 0	W	W	W	W	W	W	W	W	W	W	9676A93G01	129A062G10
10 0	W	W	W	W	W	Y	Y	Y	Y	Y	9689A63G01	129A062G10
10 0	W	W	W	Y	Y	Y	Y	G	G	G	9688A66G01	129A062G10
10 0	W	Y	Z	Z	Y	Y	G	T	T	T	9683A17G01	129A062G10
10 0	W	Y	Z	Z	Y	Y	O	W	W	W	9683A19G01	129A062G10
10 0	Y	G	Y	G	Y	Y	Y	W	W	W	9688A14G01	129A062G10
10 0	Y	T	G	W	Z	W	T	T	T	P	9666A79G01	129A062G10
10 0	Y	Y	T	T	T	T	T	T	T	T	9666A87G01	129A062G10
10 0	Y	Y	W	W	W	W	W	W	W	W	9688A82G01	129A062G10
10 0	Y	Y	W	W	W	W	Y	Y	Y	Y	9688A73G01	129A062G10
10 0	Y	Y	W	Y	Y	W	Y	Y	Y	Y	9688A72G01	129A062G10
10 0	Y	Y	Y	Y	T	T	T	T	T	T	9666A86G01	129A062G10
10 0	Y	Y	Y	Y	W	W	W	T	T	T	9669A41G01	129A062G10
10 0	Y	Y	Y	Y	W	W	W	W	W	W	9688A71G01	129A062G10
10 0	Y	Y	Y	Y	W	W	Y	Y	Y	Y	9689A47G01	129A062G10
10 0	Y	Y	Y	Y	Y	T	T	T	T	T	9688A09G01	129A062G10
10 0	Y	Y	Y	Y	Y	W	W	W	W	W	9688A81G01	129A062G10
10 0	Y	Y	Y	Y	Y	Y	P	P	P	P	9669A38G01	129A062G10
10 0	Y	Y	Y	Y	Y	Y	T	P	P	P	9682A46G01	129A062G10

Table 1 - FT-1 Switch Selection Guide (continued)

POTENTIAL CURRENT	<2> <3> <4>										STYLE NO.	TEST PLUG
	A	B	C	D	E	F	G	H	I	J		
10 0	Y	Y	Y	Y	Y	Y	W	W	W	W	9688A78G01	129A062G10
10 0	Y	Y	Y	Y	Y	Y	W	Y	Y		9688A80G01	129A062G10
10 0	Y	Y	Y	Y	Y	Y	T	T	T		9689A13G01	129A062G10
10 0	Y	Y	Y	Y	Y	Y	Y	G	G		9688A24G01	129A062G10
10 0	Y	Y	Y	Y	Y	Y	Y	T	T		9666A90G01	129A062G10
10 0	Y	Y	Y	Y	Y	Y	Y	W	W		9688A77G01	129A062G10
10 0	Y	Y	Y	Y	Y	Y	Y	Y	Y		9683A01G01	129A062G10
10 0	Y	Y	Z	Z	Z	Z	Z	T	P		9689A09G01	129A062G10
10 0	Z	Z	G	G	G	G	G	G	G		9666A77G01	129A062G10
10 0	Z	Z	G	G	G	G	G	W	W		9683A75G01	129A062G10
10 0	Z	Z	G	G	G	W	W	Y	Y		9683A70G01	129A062G10
10 0	Z	Z	G	G	W	W	W	W	W		9688A23G01	129A062G10
10 0	Z	Z	G	G	W	Y	Y	Y	Y		9652A27G01	129A062G10
10 0	Z	Z	G	G	W	Y	Y	W	W		9688A74G01	129A062G10
10 0	Z	Z	P	P	P	P	P	P	P		9682A65G01	129A062G10
10 0	Z	Z	P	P	W	W	P	P	P		991A943G01	129A062G10
10 0	Z	Z	W	W	W	W	W	W	W		9688A76G01	129A062G10
10 0	Z	Z	W	W	W	W	Y	Y	Y		9683A02G01	129A062G10
10 0	Z	Z	Y	Y	Y	W	W	W	W		9666A92G01	129A062G10
10 0	Z	Z	Y	Y	Y	Y	G	W	W		9663A41G01	129A062G10
10 0	Z	Z	Y	Y	Y	Y	W	W	W		9682A78G01	129A062G10
10 0	Z	Z	Z	O	O	O	O	O	O		9688A89G01	129A062G10
10 0	Z	Z	Z	P	P	P	P	P	P		9682A89G01	129A062G10
10 0	Z	Z	Z	T	T	T	T	T	Z		991A227G01	129A062G10
10 0	Z	Z	Z	Z	O	O	O	O	O		9688A88G01	129A062G10
10 0	Z	Z	Z	Z	P	P	P	P	P		9682A64G01	129A062G10
10 0	Z	Z	Z	Z	T	T	T	T	T		9669A39G01	129A062G10
10 0	Z	Z	Z	Z	Z	O	O	O	O		9689A15G01	129A062G10
10 0	Z	Z	Z	Z	Z	Z	O	O	O		9688A92G01	129A062G10
10 0	Z	Z	Z	Z	Z	Z	T	T	T		9682A19G01	129A062G10
10 0	Z	Z	Z	Z	Z	Z	Z	O	O		9689A91G01	129A062G10
10 0	Z	Z	Z	Z	Z	Z	Z	P	P		9676A81G01	129A062G10
10 0	Z	Z	Z	Z	Z	Z	Z	W	W		9676A91G01	129A062G10
10 0	Z	Z	Z	Z	Z	Z	Z	Z	Z		9676A94G01	129A062G10
9 1	C	P	P	P	P	P	P	P	P		498A011G01	<1>
9 1	C	T	T	T	T	T	T	T	T		1586C42G39	<1>
9 1	O	Y	C	W	G	P	P	T	T		9647A19G01	129A062G10
8 2	C-A	P	P	P	P	P	P	P	P		714B325G31	<1>
8 2	C-A	T	T	T	T	T	T	T	T		9682A80G01	<1>
8 2	C-C	P	P	P	P	P	P	P	P		837A665G01	<1>
8 2	C-C	P	P	P	P	T	T	T	T		9647A12G01	<1>
8 2	C-C	P	P	T	T	T	T	T	T		9647A11G01	<1>
8 2	C-C	T	T	P	P	P	P	P	P		9676A86G01	<1>
8 2	C-C	T	T	P	P	T	T	P	P		9688A07G01	<1>
8 2	C-C	T	T	T	T	P	P	P	P		9647A98G01	<1>
8 2	C-C	T	T	T	T	T	T	P	P		9683A72G01	<1>
8 2	C-C	T	T	T	T	T	T	T	T		1586C42G20	<1>

POTENTIAL CURRENT	<2> <3> <4>										STYLE NO.	TEST PLUG
	A	B	C	D	E	F	G	H	I	J		
8 2	C-C	Z	Z	Z	Z	Z	Z	Z	Z		991A944G01	<1>
8 2	O	Y	Z	W	G	C-C	T	V	H		991A934G01	<1>
8 2	P	C	C	P	P	P	T	P	P		1586C42G32	<1>
8 2	P	P	C-C	P	P	P	P	P	P		670B197G33	<1>
8 2	P	P	P	C-C	P	P	P	P	P		716B562G21	<1>
8 2	P	P	P	P	P	C-C	P	P	P		9689A72G01	<1>
8 2	P	P	P	P	P	P	8-8	Z	Z		9666A28G01	<1>
8 2	P	P	P	P	P	P	C-C	P	P		9663A60G01	<1>
8 2	P	P	P	P	P	P	P	C-B	P		9666A82G01	<1>
8 2	P	P	P	P	P	P	P	C-C	P		129A542G01	129A062G01
8 2	P	P	P	P	P	P	P	C-C	T		1586C42G38	129A062G01
8 2	P	P	P	P	P	P	P	P	C-A		714B325G30	<1>
8 2	P	P	P	P	P	P	P	P	C-C		716B562G26	<1>
8 2	P	P	P	P	P	P	P	P	C-E		9682A25G01	<1>
8 2	P	P	P	P	P	P	P	R-R	P		9676A15G01	129A062G01
8 2	P	P	P	P	P	T	T	T	C-C		991A241G01	<1>
8 2	P	P	P	P	T	T	P	C-C	P		716B562G35	129A062G01
8 2	P	P	P	R-R	P	P	P	P	P		9682A74G01	<1>
8 2	P	P	P	T	T	T	T	C-C	P		9666A42G01	129A062G01
8 2	P	P	P	T	T	T	T	T	C-C		991A226G01	<1>
8 2	P	P	R-R	T	P	P	P	P	P		9689A25G01	<1>
8 2	P	P	T	T	T	T	T	T	C-C		9688A98G01	<1>
8 2	T	P	P	P	P	P	P	C-C	P		9672A83G01	129A062G01
8 2	T	P	P	P	P	P	P	C-C	T		1586C42G26	129A062G01
8 2	T	T	C-C	P	G	Y	W	Z	O		9676A04G01	<1>
8 2	T	T	R-A	T	T	T	T	T	T		9689A87G01	<1>
8 2	T	T	R-R	T	T	T	T	T	T		991A933G01	<1>
8 2	T	T	T	C-C	P	P	P	P	P		9666A69G01	<1>
8 2	T	T	T	S	T	S	O	O	G		9689A88G01	<1>
8 2	T	T	T	T	C-C	T	T	T	T		1586C42G33	<1>
8 2	T	T	T	T	T	T	5-5	P	P		9682A85G01	<1>
8 2	T	T	T	T	T	T	C-A	T	T		9688A62G01	<1>
8 2	T	T	T	T	T	T	R-R	T	T		9666A34G01	<1>
8 2	T	T	T	T	T	T	T	C-C	T		1586C42G47	129A062G01
8 2	T	T	T	T	T	T	T	R-A	T		9666A96G01	129A062G01
8 2	T	T	T	T	T	T	T	R-R	T		670B197G17	129A062G01
8 2	T	T	T	T	T	T	T	T	C-C		9672A89G01	<1>
7 3	P	P	P	P	P	P	C	C-C	P		129A553G01	<1>
6 4	6-6	7-7	G	Y	Z	W	O	W	W		9666A27G01	<1>
6 4	C	C	P	P	P	P	P	C	C		716B562G20	<1>
6 4	C-A	C-A	P	P	P	P	P	P	P		714B325G27	<1>
6 4	C-C	C-C	P	P	P	P	P	O			991A622G01	<1>
6 4	C-C	C-C	P	P	P	P	P	P	P		498A015G01	<1>
6 4	C-C	C-C	P	P	P	P	P	T	T		1586C42G13	<1>
6 4	C-C	C-C	P	P	P	P	T	T	T		9672A80G01	<1>
6 4	C-C	C-C	P	P	P	T	T	T	T		991A218G01	<1>
6 4	C-C	C-C	P	P	T	T	T	T	T		9676A06G01	<1>

Table 1 - FT-1 Switch Selection Guide (continued)

POTENTIAL CURRENT	<2> <3> <4>										STYLE NO.	TEST PLUG
	A	B	C	D	E	F	G	H	I	J		
6 4	C-C	C-C	T	T	P	P	P	P	P	P	991A334G01	<1>
6 4	C-C	C-C	T	T	T	T	T	T	T	T	9663A31G01	<1>
6 4	C-C	P	P	C-C	P	P	P	P	P	P	716B562G17	<1>
6 4	C-C	P	P	P	P	C-C	P	P	P	P	716B562G19	<1>
6 4	C-C	P	P	P	P	P	P	C-C			877A077G01	<1>
6 4	C-C	T	T	T	C-C	T	T	T	T	T	9666A97G01	<1>
6 4	C-C-C-A	T	T	T	T	T	T	T	T	T	9683A94G01	<1>
6 4	C-C-C-C	P	P	P	P	P	P	T			1586C42G11	<1>
6 4	C-C-C-C	P	P	P	P	T	T	T			1586C42G12	<1>
6 4	C-C-C-C	T	T	T	T	T	T	T			9672A99G01	<1>
6 4	C-C-C-C	W	W	W	T	T	T	T			9689A38G01	<1>
6 4	C-C-C-E	T	T	T	T	T	T	T			9672A87G01	<1>
6 4	O	O	P	P	P	R-6-7-C					9666A37G01	<1>
6 4	P	C-C	C-C	P	P	P	P	P	P	P	716B562G36	<1>
6 4	P	C-C	C-C	T	T	T	T	T	T	T	9682A36G01	<1>
6 4	P	C-C	P	P	P	P	C-C	P			129A513G01	129A062G06
6 4	P	C-C	P	P	P	P	C-C	T			629A735G01	129A062G06
6 4	P	C-C	P	P	P	T	C-C	P			1586C42G22	129A062G06
6 4	P	C-C	P	P	T	T	C-C	T			1586C42G27	129A062G06
6 4	P	C-C-C-C	P	P	P	P	P	P			836A867G01	<1>
6 4	P	P	C	P	C	P	C	P	C	P	991A506G01	292B319G22
6 4	P	P	C-A	C-A	P	P	P	P	P	P	714B325G28	<1>
6 4	P	P	C-C	P	P	C-C	P	P	P	P	716B562G15	<1>
6 4	P	P	P	C-C	C-C	P	P	P	P	P	9689A81G01	129A062G12
6 4	P	P	P	C-C	C-C	T	T	T	T	T	9652A30G01	129A062G12
6 4	P	P	P	C-C	P	P	C-C	P			129A520G01	129A062G05
6 4	P	P	P	C-C-C-C	P	P	P	P			991A335G01	<1>
6 4	P	P	P	P	C	C	C	C	P	P	9689A01G01	<1>
6 4	P	P	P	P	C-A	C-A	P	P	P	P	714B325G29	<1>
6 4	P	P	P	P	C-C	C-C	P	P	P	P	670B197G19	<1>
6 4	P	P	P	P	C-C	P	P	C-C			670B197G34	<1>
6 4	P	P	P	P	P	C-C	C-C	P			129A532G01	129A062G02
6 4	P	P	P	P	P	C-A	C-A				714B325G16	<1>
6 4	P	P	P	P	P	P	C-C-C-A				714B325G18	<1>
6 4	P	P	P	P	P	P	C-C-C-C				670B197G28	<1>
6 4	P	P	T	P	P	C-C	C-C	P			9676A09G01	129A062G02
6 4	P	P	T	P	T	P	C-C-C-C				1586C42G14	<1>
6 4	P	T	P	R-C	P	P	R-C	P			9676A71G01	129A062G05
6 4	R-A	R-A	T	T	T	T	T	T			9689A73G01	<1>
6 4	R-R	R-R	O	O	O	O	O	O			9682A98G01	<1>
6 4	R-R	R-R	T	T	T	T	T	T			670B197G25	<1>
6 4	T	P	C	P	C	P	C	P	C	P	670B197G37	292B319G22
6 4	T	P	P	C-C	P	P	C-C	P			9660A91G01	129A062G05
6 4	T	P	P	C-C	T	P	P	C-C			9676A05G01	<1>
6 4	T	P	P	P	P	C-C	C-C	T			849A307G01	<1>
6 4	T	R-E	T	R-E	T	T	T	T			991A231G01	<1>
6 4	T	T	T	R-R	T	T	R-R	T			861A670G01	129A062G05

POTENTIAL CURRENT	<2> <3> <4>										STYLE NO.	TEST PLUG
	A	B	C	D	E	F	G	H	I	J		
6 4	T	T	T	T	T	T	C-C	C-C			991A235G01	<1>
6 4	T	Y	Z	T	Y	Z	R-6-7-C				9689A42G01	<1>
6 4	Z	Z	O	O	O	O	C-C	C-C			9689A18G01	<1>
5 5	P	P	C	C-C	P	C-C	P	P	P		670B197G20	<1>
4 6	7-7	7-7	7-7	P	P	O					9682A48G01	<1>
4 6	7-7	7-7	7-7	T	T	T	T				9682A49G01	<1>
4 6	7-7	7-7	7-7	Y	Y	Y					9682A50G01	<1>
4 6	8-8	8-8	8-8	W	W	W	W				9682A51G01	<1>
4 6	9-9	9-9	9-9	P	P	P	P				9669A43G01	<1>
4 6	9-9	9-9	9-9	W	W	W	W				9669A36G01	<1>
4 6	C	C	C	C	C	P	P	P	P		774B430G18	<1>
4 6	C	C-C	C-C	C	T	T	T	T			1586C42G21	<1>
4 6	C-C	5-5	R-R	P	P	P	P				9666A91G01	<1>
4 6	C-C	C-C	C-C	G	T	T	T				9683A15G01	<1>
4 6	C-C	C-C	C-C	O	O	W	W				9683A21G01	<1>
4 6	C-C	C-C	C-C	O	Y	W	W				9683A20G01	<1>
4 6	C-C	C-C	C-C	P	P	P	P				774B430G20	<1>
4 6	C-C	C-C	C-C	P	P	P	T				1586C42G36	<1>
4 6	C-C	C-C	C-C	P	P	T	T				9671A70G01	<1>
4 6	C-C	C-C	C-C	T	T	P	P				9683A73G01	<1>
4 6	C-C	C-C	C-C	T	T	T	T				774B430G24	<1>
4 6	C-C	C-C	C-C	T	T	W	W				991A238G01	<1>
4 6	C-C	C-C	C-C	Y	Y	Z	Z				991A239G01	<1>
4 6	C-C	C-C	C-C	Z	Z	Y	Y				9666A60G01	<1>
4 6	C-C	P	P	C-C	P	P	C-C				716B562G16	<1>
4 6	C-C	T	P	C-C-C-C	P	T					1586C42G10	<1>
4 6	C-C-C-C	C-C	P	P	P	P					774B430G09	<1>
4 6	C-C-C-C	C-C	P	T	P	T					9676A98G01	<1>
4 6	C-C-C-D	P	L	C-C	T	T					9683A98G01	<1>
4 6	G	G	9-9	9-9	9-9	P	P				9669A42G01	<1>
4 6	L	L	L	L	C-E	C-E	C-E				9660A96G01	<1>
4 6	O	G	T	W	C-C	C-C	C-C				9676A99G01	<1>
4 6	O	O	O	O	C-C	C-C	C-C				9689A14G01	<1>
4 6	O	Y	Y	O	C-C	C-C	C-C				9666A20G01	<1>
4 6	O	Y	Z	8-9	8-6	8-7	P				9683A05G01	292B319G23
4 6	P	C-A	P	C-A	P	C-A	P				9689A04G01	<1>
4 6	P	C-C	C-C	C-C	P	P	P				716B562G37	129A062G09
4 6	P	C-C	C-C	C-C	P	P	P				774B430G10	129A062G09
4 6	P	C-C	P	C-C	P	C-C	P				129A528G01	<1>
4 6	P	G	T	C-C	5-5	R-R	W				9676A58G01	292B319G23
4 6	P	P	C	C	C	C	C	P	P		774B430G21	<1>
4 6	P	P	C	C-C	C-C	C	P	P			714B325G19	<1>
4 6	P	P	C-C	P	P	C-C	C-C				716B562G18	<1>
4 6	P	P	P	6-6	6-6	6-6	P				9664A93G01	292B319G23
4 6	P	P	P	C	C	C	C	C	P		9670A05G01	<1>
4 6	P	P	P	C-A	C-A	C-A	P				9688A22G01	292B319G23
4 6	P	P	P	C-A	P	C-C-C-A					714B325G17	<1>

Table 1 - FT-1 Switch Selection Guide (continued)

POTENTIAL CURRENT	<2> <3> <4>										STYLE NO.	TEST PLUG
	A	B	C	D	E	F	G	H	I	J		
4 6	P	P	P	C-C	C-C	C-C	P				129A514G01	292B319G23
4 6	P	P	P	C-C	C-C	C-C	T				670B197G32	292B319G23
4 6	P	P	P	C-C	C-C	C-C	Z				9671A93G01	292B319G23
4 6	P	P	P	C-C	C-R	C-R	T				1586C42G34	292B319G23
4 6	P	P	P	C-C	P	C-C	C-C				670B197G27	<1>
4 6	P	P	P	G	R-R	R-R	R-R				9688A01G01	<1>
4 6	P	P	P	P	C-A	C-A	C-A				714B325G24	<1>
4 6	P	P	P	P	C-B	C-B	C-B				9666A46G01	<1>
4 6	P	P	P	P	C-C	C-C	C-C				1586C42G05	<1>
4 6	P	P	P	P	C-C	C-C	C-C				670B197G18	<1>
4 6	P	P	P	P	C-C	C-C	C-C				1586C42G37	<1>
4 6	P	P	P	P	P	P	C-C	C-C			670B197G23	<1>
4 6	P	P	P	P	R-R	R-R	R-R				9660A85G01	<1>
4 6	P	P	P	R-R	R-R	R-R	P				1586C42G03	292B319G23
4 6	P	P	P	R-R	R-R	R-R	W				9688A38G01	292B319G23
4 6	P	P	T	C-C	C-C	C-C	T				1586C42G48	292B319G23
4 6	P	R-R	P	R-R	P	R-R	P				9676A17G01	<1>
4 6	P	T	Z	C-7	8-7	7-C	P				9676A55G01	292B319G23
4 6	P	T	Z	C-8	R-8	7-8	W				9676A68G01	292B319G23
4 6	P	T	Z	W	6-5	8-5	9-5				9689A53G01	<1>
4 6	P	Y	Y	P	C-C	C-C	C-C				9666A55G01	<1>
4 6	P	Y	Z	R-R	6-6	7-6	P				9666A63G01	292B319G23
4 6	P	Y	Z	R-R	6-6	7-7	P				9666A67G01	292B319G23
4 6	R-B	R-B	R-B	T	T	T	T				714B325G20	<1>
4 6	R-R	7-7	C-C	G	Y	T	P				9664A89G01	<1>
4 6	R-R	7-7	C-C	G	Y	W	O				9664A81G01	<1>
4 6	R-R	7-7	C-C	T	G	O	G				9664A87G01	<1>
4 6	R-R	7-7	C-C	T	T	T	P				991A941G01	<1>
4 6	R-R	7-7	C-C	T	Z	P	O				9664A86G01	<1>
4 6	R-R	7-7	C-C	W	P	O	G				9666A88G01	<1>
4 6	R-R	7-7	C-C	W	P	T	G				9664A85G01	<1>
4 6	R-R	7-7	C-C	Y	W	T	G				9666A84G01	<1>
4 6	R-R	R-R	R-R	P	P	P	P				9689A33G01	<1>
4 6	R-R	R-R	R-R	T	T	T	T				9688A11G01	<1>
4 6	T	5-A	T	5-A	T	5-A	T				9689A28G01	<1>
4 6	T	C-C	C-C	C-C	P	P	P				9676A60G01	129A062G09
4 6	T	C-C	T	C-C	T	C-C	T				188A523G01	<1>
4 6	T	C-C	T	C-C	T	C-C	Y				9689A84G01	<1>
4 6	T	O	G	W	R-R	9-9	5-5				9666A72G01	<1>
4 6	T	P	C-C	C-C	C-C	P	P				1586C42G18	<1>
4 6	T	P	P	C-C	C-C	C-C	P				9682A53G01	292B319G23
4 6	T	P	P	P	C-C	C-C	C-C				9664A80G01	<1>
4 6	T	P	P	P	C-C	C-R	C-C				9689A89G01	<1>
4 6	T	P	T	P	C-C	C-C	C-C				9666A94G01	<1>
4 6	T	P	Z	W	R-R	C-C	7-7				9688A87G01	<1>
4 6	T	T	C-C	C-C	C-C	T	T				9667A22G01	<1>
4 6	T	T	P	C-C	C-C	C-C	P				9689A07G01	292B319G23

POTENTIAL CURRENT	<2> <3> <4>										STYLE NO.	TEST PLUG
	A	B	C	D	E	F	G	H	I	J		
4 6	T	T	P	C-C	C-C	C-C	T				9667A80G01	292B319G23
4 6	T	T	P	P	C-C	C-C	C-C				9672A90G01	<1>
4 6	T	T	T	5-5	5-5	5-5	T				9682A84G01	292B319G23
4 6	T	T	T	5-A	5-A	5-A	T				9689A29G01	292B319G23
4 6	T	T	T	C-C	C-C	C-C	G				9666A59G01	292B319G23
4 6	T	T	T	C-C	C-C	C-C	P				9667A69G01	292B319G23
4 6	T	T	T	C-C	C-C	C-C	T				714B325G32	292B319G23
4 6	T	T	T	C-C	C-C	C-C	W				9676A35G01	292B319G23
4 6	T	T	T	G	C-C	C-C	C-C				9647A23G01	<1>
4 6	T	T	T	P	C-C	C-C	C-C				9676A80G01	<1>
4 6	T	T	T	R-R	R-R	R-R	T				774B430G13	292B319G23
4 6	T	T	T	T	C-C	C-C	C-C				498A010G01	<1>
4 6	T	T	T	T	C-C	C-C	C-C				9676A10G01	<1>
4 6	T	T	T	T	R-R	8-8	7-7				9682A69G01	<1>
4 6	T	T	T	T	R-R	R-R	R-R				9682A39G01	<1>
4 6	T	W	Z	G	R-R	7-7	8-8				9688A41G01	<1>
4 6	T	W	Z	G	R-R	8-8	7-7				9683A07G01	<1>
4 6	T	W	Z	P	R-R	8-8	7-7				991A234G01	<1>
4 6	T	W	Z	R-R	8-8	7-7	P				9683A04G01	292B319G23
4 6	T	Y	P	G	R-R	6-6	C-C				9682A86G01	<1>
4 6	T	Y	Z	8-C	P	R-6-7	C				9689A41G01	<1>
4 6	T	Y	Z	R-R	6-6	7-7	P				9666A44G01	292B319G23
4 6	T	Y	Z	W	C-C	C-C	C-C				9689A06G01	<1>
4 6	W	W	O	O	C-C	C-C	C-C				9666A54G01	<1>
4 6	W	W	O	Y	C-C	C-C	C-C				9666A21G01	<1>
4 6	W	W	W	9-C	9-C	9-C	W				9652A25G01	292B319G23
4 6	W	W	W	W	8-8	8-8	8-8				9682A93G01	<1>
4 6	W	W	W	W	9-9	9-9	9-9				991A624G01	<1>
4 6	W	W	W	W	C-C	C-C	C-C				9688A02G01	<1>
4 6	W	W	Y	O	C-C	C-C	C-C				9647A20G01	<1>
4 6	W	Y	Y	O	C-C	C-C	C-C				9652A28G01	<1>
4 6	Y	T	G	6-6	R-R	5-5	W				9666A66G01	292B319G23
4 6	Y	Y	Y	C-C	C-C	C-C	Y				991A236G01	292B319G23
4 6	Y	Y	Y	R-R	R-R	R-R	Y				9669A30G01	292B319G23
4 6	Z	R-R	Z	R-R	Z	R-R	P				9666A38G01	<1>
4 6	Z	Z	O	O	C-C	C-C	C-C				9689A19G01	<1>
4 6	Z	Z	Z	C-C	C-C	C-C	Z				9672A01G01	292B319G23
4 6	Z	Z	Z	R-R	R-R	R-R	G				9682A82G01	292B319G23
4 6	Z	Z	Z	R-R	R-R	R-R	Z				991A240G01	292B319G23
4 6	Z	Z	Z	W	R-R	6-6	5-5				9689A85G01	<1>
4 6	Z	Z	Z	Z	C-C	C-C	C-C				9676A95G01	<1>
3 7	9-C	6-C	7-C	8	P	G	P				9683A96G01	<1>
3 7	C	Y	Y	Y	C-C	C-C	C-C				9682A97G01	<1>
3 7	C-C	C-C	C-C	C	P	P	P				1586C42G43	<1>
3 7	C-C	P	C-C	P	C-C	P	C				714B325G22	<1>
3 7	L	L	L	U	C-E	C-E	C-E				1485B70G10	<1>
3 7	P	G	T	C-C	5-5	R-R	8				9676A76G01	<1>

Table 1 - FT-1 Switch Selection Guide (continued)

POTENTIAL	CURRENT	<2> <3> <4>										STYLE NO.	TEST PLUG
		A	B	C	D	E	F	G	H	I	J		
3	7	P	P	C	C-C	C	C-C	C	P			716B562G12	<1>
3	7	P	P	C	C-C	C-C	C-C	P				129A535G01	292B319G22
3	7	P	P	C	C-C	C-C	C-C	T				9672A86G01	292B319G22
3	7	P	P	P	C	C	C	C	C	C		1586C42G17	<1>
3	7	P	P	P	C	C-C	C-C	C-C				9671A26G01	<1>
3	7	P	P	P	C-B	C-B	C-B	S				716B562G30	<1>
3	7	P	P	P	C-C	C-C	C-C	C				1586C42G19	<1>
3	7	P	P	P	C-C	C-C	C-C	C				714B325G11	<1>
3	7	P	P	P	C-C	C-C	C-C	C				714B325G25	<1>
3	7	P	P	P	S	C-C	C-C	C-C				774B430G16	<1>
3	7	P	P	P	U	C	U	C	U	C	U	1485B70G09	<1>
3	7	P	T	C	C-C	C-C	C-C	T				670B197G22	292B319G22
3	7	R	R	7-7	C-C	C	Y	W	O			9666A89G01	<1>
3	7	T	O	Y	S	C-8	7-8	5-8				9666A56G01	<1>
3	7	T	T	C	C-C	C-C	C-C	T				670B197G35	292B319G22
3	7	T	T	C-C	C-C	C-C	C	T				9688A86G01	<1>
3	7	T	T	T	C-C	5-5	R-R	8				9689A45G01	<1>
3	7	T	T	T	C-C	C-C	C-C	C				9663A59G01	<1>
3	7	T	T	T	C-C	C-C	C-C	N				291B961G25	<1>
3	7	T	T	T	C-C	C-C	C-C	U				1485B70G11	<1>
3	7	T	T	T	R-R	R-R	R-R	R				9688A50G01	<1>
2	8	5-5	5-5	5-5	5-5	5-5	G	G				9683A87G01	<1>
2	8	6-6	R-R	5-5	8-8	Z	W					9666A64G01	<1>
2	8	7-7	7-7	7-7	7-7	W	W					9682A47G01	<1>
2	8	7-7	7-7	7-7	7-7	Z	Z					9683A89G01	<1>
2	8	8-C	8-C	8-C	8-C	P	P					991A237G01	<1>
2	8	8-C	R-C	5-C	9-C	T	T					9688A85G01	<1>
2	8	9-9	9-9	9-9	9-9	G	G					9669A35G01	<1>
2	8	9-C	6-C	7-C	C-C	T	T					9647A18G01	<1>
2	8	C	C	C	C	C	C	P	P			9689A02G01	<1>
2	8	C-A	P	P	C	C-C	C	C-C				714B325G21	<1>
2	8	C-B	C-B	C-B	C-B	P	P					991A942G01	<1>
2	8	C-C	C-C	C-C	C-C	P	P					837A407G01	<1>
2	8	C-C	C-C	C-C	C-C	P	T					9672A95G01	<1>
2	8	C-C	C-C	C-C	C-C	T	P					9676A11G01	<1>
2	8	C-C	C-C	C-C	C-C	T	T					774B430G22	<1>
2	8	C-C	C-C	C-C	C-C	W	W					9683A16G01	<1>
2	8	C-C	C-C	P	C	C	C	P				837A664G01	<1>
2	8	C-C	P	P	C	C-C	C	C-C				716B562G24	<1>
2	8	C-C	T	C-C	C-C	C-C	P					9688A94G01	<1>
2	8	C-C	T	C-C	C-C	C-C	T					9667A68G01	<1>
2	8	C-C	C-B	C-C	C-B	P	P					498A031G01	<1>
2	8	C-C	C-C	C	C	C-C	P	P				716B562G38	<1>
2	8	C-C	C-C	C-C	C-C	P	P					714B325G15	<1>
2	8	C-C	C-C	C-C	C-C	B	P	P				837A101G01	<1>
2	8	C-C	C-C	C-C	C-B	T	T					1586C42G42	<1>
2	8	C-C	C-C	C-C	C-C	P	P					774B430G11	<1>

POTENTIAL	CURRENT	<2> <3> <4>										STYLE NO.	TEST PLUG
		A	B	C	D	E	F	G	H	I	J		
2	8	C-C	C-C	C	C-C	C-C	P	T				1586C42G09	<1>
2	8	C-C	C-C	C	C-C	C-C	T	P				9671A22G01	<1>
2	8	C-C	C-C	C	C-C	C-C	T	T				9642A36G01	<1>
2	8	C-C	C-C	C	P	C-C	C-C	P				9672A94G01	<1>
2	8	C-C	C-C	C	T	C-C	C-C	T				9676A01G01	<1>
2	8	C-C	C-D	C-C	C-B	P	P					498A032G01	<1>
2	8	C-C	C-D	C-C	C-D	P	P					714B325G13	<1>
2	8	C-C	C-D	C-C	C-D	P	P					774B430G12	<1>
2	8	C-C	C-E	C-C	C-E	T	T					9672A23G01	<1>
2	8	C-C	C-E	T	C-C	C-E	T					9672A88G01	<1>
2	8	C-C	E	C	C-C	C-C	P	P				716B562G39	<1>
2	8	L	C-E	C-E	C-E	C-E	L					9666A23G01	<1>
2	8	O	O	C-C	C-C	C-C	C-C					9682A61G01	<1>
2	8	P	8-8	8-8	8-8	8-8	P					9682A24G01	292B319G22
2	8	P	C	C	C	C	C	P				129A519G01	<1>
2	8	P	C	C	C	P	C	C	C			716B562G27	<1>
2	8	P	C-C	C-C	C-C	C-C	P					129A518G01	292B319G22
2	8	P	C-C	C-C	C-C	C-C	T					1586C42G08	292B319G22
2	8	P	C-C	C-C	C-C	C-C	T					837A616G01	292B319G22
2	8	P	P	5-5	R-R	6-6	C-C					9682A87G01	<1>
2	8	P	P	9-9	9-9	9-9	9-9					991A625G01	<1>
2	8	P	P	C-C	C-C	C-C	C-C					716B562G25	<1>
2	8	P	P	C-C	C-C	C-C	C-C					9676A96G01	<1>
2	8	P	R-R	8-8	7-7	C-C	P					991A233G01	292B319G22
2	8	P	R-R	R-R	R-R	R-R	P					9683A99G01	292B319G22
2	8	P	S	P	R-R	R-R	R-R	C				9676A83G01	<1>
2	8	R-6	-7-C	R-6	-7-C	O	O					9666A35G01	<1>
2	8	R-B	R-B	R-B	R-B	T	T					714B325G12	<1>
2	8	R-C	R-C	R-C	R-C	T	T					716B562G11	<1>
2	8	R-R	7-7	C-C	9-9	T	G					9664A83G01	<1>
2	8	R-R	7-7	C-C	9-9	T	P					9664A82G01	<1>
2	8	R-R	R-R	R-R	R-R	P	P					9688A91G01	<1>
2	8	R-R	R-R	R-R	R-R	T	T					9666A48G01	<1>
2	8	T	5-5	6-6	7-7	5-5	T					9666A26G01	292B319G22
2	8	T	C	C	C	C	C	P				9671A04G01	<1>
2	8	T	C	C	C	C	C	T				9671A12G01	<1>
2	8	T	C	C	C-C	C-C	C-C	T				876A157G01	<1>
2	8	T	C-C	C-C	C-C	C-C	P					670B197G38	292B319G22
2	8	T	C-C	C-C	C-C	C-C	T					849A513G01	292B319G22
2	8	T	C-C	C-C	C-C	C-C	Y					9676A75G01	292B319G22
2	8	T	C-C	C-C	C-C	C-C	P					9666A24G01	<1>
2	8	T	C-C	C-C	C-C	C-C	P					9689A34G01	<1>
2	8	T	R-R	R-R	R-R	R-R	T					716B562G28	292B319G22
2	8	T	T	5-5	R-R	8-8	7-7					9682A68G01	<1>
2	8	T	T	9-9	9-9	9-9	9-9					9669A40G01	<1>
2	8	T	T	C-C	C-C	C-C	C-C					1586C42G16	<1>
2	8	T	T	C-C	C-C	C-C	C-C					774B430G28	<1>

**Table 1 - FT-1 Switch Selection Guide (continued)**

POTENTIAL	CURRENT	<2> <3> <4>										STYLE NO.	TEST PLUG
		A	B	C	D	E	F	G	H	I	J		
2	8	T	T	R	R	8-8	7-7	5-5				991A935G01	<1>
2	8	W	W	C	C	C	C	C	C			9666A51G01	<1>
2	8	Z	C	C	C	C	C	C	Z			9689A77G01	292B319G22
1	9	C	C	C	C	C	C	C	C	P		129A541G01	<1>
1	9	C	C	C	C	C	C	C	C	T		188A286G01	<1>
1	9	C	C	C	C	C	C	C	P			670B197G16	<1>
1	9	C	C	C	C	C	C	C	P			1586C42G40	<1>
1	9	C	C	C	C	C	C	C	T			1586C42G35	<1>
1	9	P	C	C	C	C	C	C	C			714B325G23	<1>
1	9	P	C	C	C	B	C	C	C	B		498A030G01	<1>
1	9	T	8-8	C	C	5-5	R	R	8			9688A48G01	<1>
0	10	5-A	5-A	5-A	5-A	5-A						9689A26G01	<1>
0	10	6-6	6-6	6-6	6-6	6-6						9664A94G01	<1>
0	10	8-8	8-8	8-8	8-8	8-8						9682A94G01	<1>
0	10	C	C	C	C	C	C	C	C			129A529G01	<1>
0	10	C	C	C	C	C	C	C	C			774B430G17	<1>
0	10	C	C	C	C	C	C	C	C			9676A18G01	<1>
0	10	C	C	C	C	C	C	C	C			9688A75G01	<1>
0	10	C	C	B	C	C	B	C	C	B		716B562G14	<1>
0	10	C	C	C	C	C	C	C	C			716B562G13	<1>
0	10	C	A	C	A	C	A	C	A			9689A03G01	<1>
0	10	C	C	5-5	R	R	8-8	8-8				9689A11G01	<1>
0	10	C	C	C	C	C	C	C	C			714B325G26	<1>
0	10	C	C	C	C	8-8	8-8					9682A92G01	<1>

POTENTIAL	CURRENT	<2> <3> <4>										STYLE NO.	TEST PLUG
		A	B	C	D	E	F	G	H	I	J		
0	10	C	C	C	C	C	C	8-8				9682A91G01	<1>
0	10	C	C	C	C	C	C	C	C			774B430G15	<1>
0	10	C	C	C	C	C	C	C	C			498A020G01	<1>
0	10	C	C	C	C	C	C	R	R			9676A23G01	<1>
0	10	C	C	C	C	C	C	C	C			9676A20G01	<1>
0	10	C	C	C	A	C	A	C	A			9683A92G01	<1>
0	10	C	C	C	A	C	C	C	A			774B430G14	<1>
0	10	C	C	C	A	C	C	C	A			1586C42G02	<1>
0	10	C	C	C	B	C	C	C	B			498A001G01	<1>
0	10	C	C	C	C	C	C	C	C			714B325G14	<1>
0	10	C	C	C	C	C	C	C	C			9666A40G01	<1>
0	10	C	C	C	C	C	C	C	C			774B430G23	<1>
0	10	C	C	C	C	C	C	R	R			9666A41G01	<1>
0	10	C	D	C	D	C	D	C	D			9676A07G01	<1>
0	10	C	E	C	E	C	E	C	E			714B325G09	<1>
0	10	J	J	J	J	J	J	J	J			291B962G31	<1>
0	10	R	R	R	R	R	R	R	R			9682A54G01	<1>
0	10	R	6-7	C	R	6-7	C	8-C				9689A43G01	<1>
0	10	R	A	R	A	R	A	R	A			9689A17G01	<1>
0	10	R	B	R	B	R	B	R	B			714B325G10	<1>
0	10	R	C	R	C	R	C	R	C			716B562G09	<1>
0	10	R	R	6-6	7-7	8-8	C	C				9688A51G01	<1>
0	10	R	R	R	R	R	R	R				9663A33G01	<1>

**Table 1 Notes:**

<1> When a multi-position In-Service Test Plug is not available then the individual current circuit test plug can be used.

<2> A standard FT-1 Switch with screw termination will be supplied when using the Style Number per this table. An optional FT-1 Switch with stud and nut terminals can be supplied at no additional charge provided an “S” prefix is used with FT-1 Switch Style Number (Example: S129A501G01).

<3> A standard FT-1 Switch with black opaque cover will be supplied when using the Style Number per this table. An optional FT-1 Switch with clear cover can be supplied at no additional charge provided a “C” prefix is used with FT-1 Switch Style Number (Example: C129A501G01 or CS129A501G01 for clear cover and stud & nut terminals, per note <2>).

<4> FT-1 Switch styles using the prefix “R” or “RS” can only be used with the FT-19R Assembly (refer to the FT-19R Technical Data and DB 41-078 for more details).

See Ordering Information on page 9.

Table 2 - FT-1 Switch Selection by Style

STYLE NO.	POTENTIAL CURRENT	STYLE NO.	POTENTIAL CURRENT	STYLE NO.	POTENTIAL CURRENT	STYLE NO.	POTENTIAL CURRENT	STYLE NO.	POTENTIAL CURRENT
129A501G01	10 0	129A550G01	6 0	1586C42G39	9 1	291B958G28	0 6	498A019G01	1 7
129A502G01	8 0	129A551G01	9 0	1586C42G40	1 9	291B958G29	0 6	498A020G01	0 10
129A503G01	7 0	129A552G01	6 3	1586C42G41	10 0	291B958G30	2 4	498A021G01	0 9
129A504G01	6 0	129A553G01	7 3	1586C42G42	2 8	291B958G31	2 4	498A022G01	4 0
129A505G01	5 0	129A555G01	0 5	1586C42G43	3 7	291B958G33	6 0	498A023G01	0 9
129A506G01	4 0	1485B70G09	3 7	1586C42G44	10 0	291B959G18	5 2	498A024G01	3 6
129A507G01	2 2	1485B70G10	3 7	1586C42G45	10 0	291B959G19	7 0	498A025G01	0 8
129A508G01	3 2	1485B70G11	3 7	1586C42G46	10 0	291B959G20	3 4	498A026G01	0 2
129A509G01	4 2	1586C39G01	4 0	1586C42G47	8 2	291B959G26	3 4	498A027G01	0 4
129A510G01	5 2	1586C39G02	4 0	1586C42G48	4 6	291B959G27	5 2	498A028G01	4 5
129A511G01	3 4	1586C40G01	6 0	188A229G01	0 8	291B959G28	7 0	498A029G01	0 8
129A512G01	4 4	1586C41G01	0 8	188A261G01	5 2	291B959G29	0 7	498A030G01	1 9
129A513G01	6 4	1586C42G02	0 10	188A286G01	1 9	291B959G30	7 0	498A031G01	2 8
129A514G01	4 6	1586C42G03	4 6	188A304G01	0 6	291B959G32	3 4	498A032G01	2 8
129A515G01	3 6	1586C42G05	4 6	188A416G01	6 0	291B959G33	7 0	629A315G01	4 4
129A516G01	0 6	1586C42G06	10 0	188A454G01	0 6	291B960G20	0 8	629A483G01	6 3
129A517G01	0 8	1586C42G08	2 8	188A477G01	4 3	291B960G26	6 2	629A568G01	6 0
129A518G01	2 8	1586C42G09	2 8	188A523G01	4 6	291B960G27	3 5	629A735G01	6 4
129A519G01	2 8	1586C42G10	4 6	188A618G01	3 4	291B960G33	0 8	670B197G16	1 9
129A520G01	6 4	1586C42G11	6 4	188A622G01	5 2	291B960G36	6 2	670B197G17	8 2
129A521G01	2 6	1586C42G12	6 4	188A632G01	6 2	291B960G37	8 0	670B197G18	4 6
129A523G01	0 6	1586C42G13	6 4	188A633G01	5 4	291B960G38	2 6	670B197G19	6 4
129A524G01	4 0	1586C42G14	6 4	291B954G12	0 2	291B960G39	8 0	670B197G20	5 5
129A525G01	2 6	1586C42G15	10 0	291B954G13	2 0	291B961G22	5 4	670B197G21	10 0
129A526G01	7 0	1586C42G16	2 8	291B954G14	2 0	291B961G23	6 3	670B197G22	3 7
129A528G01	4 6	1586C42G17	3 7	291B954G15	2 0	291B961G25	3 7	670B197G23	4 6
129A529G01	0 10	1586C42G18	4 6	291B954G16	2 0	291B961G26	2 7	670B197G24	10 0
129A530G01	4 4	1586C42G19	3 7	291B956G13	0 4	291B961G27	3 6	670B197G25	6 4
129A531G01	0 2	1586C42G20	8 2	291B956G18	2 2	291B961G28	5 4	670B197G26	10 0
129A532G01	6 4	1586C42G21	4 6	291B956G23	0 4	291B961G29	3 6	670B197G27	4 6
129A533G01	3 2	1586C42G22	6 4	291B956G24	4 0	291B961G30	6 3	670B197G28	6 4
129A534G01	2 0	1586C42G23	10 0	291B956G25	4 0	291B962G31	0 10	670B197G31	10 0
129A535G01	3 7	1586C42G24	10 0	291B956G26	3 1	498A001G01	0 10	670B197G32	4 6
129A536G01	8 0	1586C42G25	10 0	291B956G27	0 4	498A002G01	1 4	670B197G33	8 2
129A537G01	2 4	1586C42G26	8 2	291B956G28	1 3	498A003G01	1 6	670B197G34	6 4
129A538G01	4 0	1586C42G27	6 4	291B956G29	0 4	498A004G01	0 8	670B197G35	3 7
129A539G01	10 0	1586C42G28	10 0	291B956G30	2 2	498A008G01	3 4	670B197G36	10 0
129A540G01	1 6	1586C42G29	10 0	291B956G31	4 0	498A009G01	1 8	670B197G37	6 4
129A541G01	1 9	1586C42G30	10 0	291B956G32	4 0	498A010G01	4 6	670B197G38	2 8
129A542G01	8 2	1586C42G31	10 0	291B957G09	3 2	498A011G01	9 1	714B325G09	0 10
129A543G01	3 3	1586C42G32	8 2	291B957G15	5 0	498A012G01	4 0	714B325G10	0 10
129A544G01	4 4	1586C42G33	8 2	291B957G16	3 2	498A013G01	7 0	714B325G11	3 7
129A545G01	5 4	1586C42G34	4 6	291B957G17	3 2	498A014G01	0 6	714B325G12	2 8
129A546G01	8 0	1586C42G35	1 9	291B958G24	3 3	498A015G01	6 4	714B325G13	2 8
129A547G01	7 0	1586C42G36	4 6	291B958G25	6 0	498A016G01	4 4	714B325G14	0 10
129A548G01	9 0	1586C42G37	4 6	291B958G26	0 6	498A017G01	0 6	714B325G15	2 8
129A549G01	8 0	1586C42G38	8 2	291B958G27	2 4	498A018G01	1 7	714B325G16	6 4

Table 2 - FT-1 Switch Selection by Style (continued)

STYLE NO.	POTENTIAL CURRENT	STYLE NO.	POTENTIAL CURRENT	STYLE NO.	POTENTIAL CURRENT	STYLE NO.	POTENTIAL CURRENT	STYLE NO.	POTENTIAL CURRENT
714B325G17	4 6	719B591G12	8 0	9647A17G01	4 0	9664A94G01	0 10	9666A73G01	10 0
714B325G18	6 4	719B591G13	4 4	9647A18G01	2 8	9664A97G01	10 0	9666A76G01	10 0
714B325G19	4 6	719B591G14	8 0	9647A19G01	9 1	9664A98G01	10 0	9666A77G01	10 0
714B325G20	4 6	763A109G01	0 4	9647A20G01	4 6	9666A12G01	0 4	9666A78G01	0 8
714B325G21	2 8	763A166G01	4 0	9647A21G01	10 0	9666A13G01	10 0	9666A79G01	10 0
714B325G22	3 7	763A167G01	6 2	9647A22G01	10 0	9666A20G01	4 6	9666A80G01	10 0
714B325G23	1 9	763A168G01	7 0	9647A23G01	4 6	9666A21G01	4 6	9666A82G01	8 2
714B325G24	4 6	774B430G09	4 6	9647A98G01	8 2	9666A23G01	2 8	9666A83G01	0 6
714B325G25	3 7	774B430G10	4 6	9649A37G01	10 0	9666A24G01	2 8	9666A84G01	4 6
714B325G26	0 10	774B430G11	2 8	9652A25G01	4 6	9666A26G01	2 8	9666A85G01	0 8
714B325G27	6 4	774B430G12	2 8	9652A26G01	10 0	9666A27G01	6 4	9666A86G01	10 0
714B325G28	6 4	774B430G13	4 6	9652A27G01	10 0	9666A28G01	8 2	9666A87G01	10 0
714B325G29	6 4	774B430G14	0 10	9652A28G01	4 6	9666A34G01	8 2	9666A88G01	4 6
714B325G30	8 2	774B430G15	0 10	9652A29G01	10 0	9666A35G01	2 8	9666A89G01	3 7
714B325G31	8 2	774B430G16	3 7	9652A30G01	6 4	9666A36G01	10 0	9666A90G01	10 0
714B325G32	4 6	774B430G17	0 10	9660A84G01	0 8	9666A37G01	6 4	9666A91G01	4 6
716B562G09	0 10	774B430G18	4 6	9660A85G01	4 6	9666A38G01	4 6	9666A92G01	10 0
716B562G10	10 0	774B430G19	10 0	9660A91G01	6 4	9666A39G01	6 0	9666A93G01	10 0
716B562G11	2 8	774B430G20	4 6	9660A92G01	10 0	9666A40G01	0 10	9666A94G01	4 6
716B562G12	3 7	774B430G21	4 6	9660A96G01	4 6	9666A41G01	0 10	9666A95G01	3 2
716B562G13	0 10	774B430G22	2 8	9660A97G01	0 6	9666A42G01	8 2	9666A96G01	8 2
716B562G14	0 10	774B430G23	0 10	9663A25G01	10 0	9666A43G01	10 0	9666A97G01	6 4
716B562G15	6 4	774B430G24	4 6	9663A31G01	6 4	9666A44G01	4 6	9667A02G01	4 2
716B562G16	4 6	774B430G28	2 8	9663A33G01	0 10	9666A45G01	10 0	9667A03G01	10 0
716B562G17	6 4	774B542G09	1 0	9663A34G01	3 6	9666A46G01	4 6	9667A06G01	10 0
716B562G18	4 6	836A867G01	6 4	9663A41G01	10 0	9666A47G01	10 0	9667A17G01	5 2
716B562G19	6 4	837A087G01	0 4	9663A59G01	3 7	9666A48G01	2 8	9667A21G01	2 6
716B562G20	6 4	837A098G01	0 8	9663A60G01	8 2	9666A49G01	10 0	9667A22G01	4 6
716B562G21	8 2	837A099G01	0 8	9663A74G01	3 6	9666A50G01	10 0	9667A68G01	2 8
716B562G24	2 8	837A101G01	2 8	9663A77G01	1 6	9666A51G01	2 8	9667A69G01	4 6
716B562G25	2 8	837A407G01	2 8	9663A78G01	1 2	9666A52G01	10 0	9667A78G01	10 0
716B562G26	8 2	837A616G01	2 8	9663A79G01	7 0	9666A53G01	10 0	9667A80G01	4 6
716B562G27	2 8	837A664G01	2 8	9663A80G01	4 0	9666A54G01	4 6	9667A86G01	10 0
716B562G28	2 8	837A665G01	8 2	9664A78G01	10 0	9666A55G01	4 6	9667A93G01	10 0
716B562G30	3 7	837A889G01	6 0	9664A79G01	10 0	9666A56G01	3 7	9668A27G01	10 0
716B562G35	8 2	849A307G01	6 4	9664A80G01	4 6	9666A58G01	10 0	9668A54G01	10 0
716B562G36	6 4	849A513G01	2 8	9664A81G01	4 6	9666A59G01	4 6	9668A69G01	2 6
716B562G37	4 6	861A551G01	3 6	9664A82G01	2 8	9666A60G01	4 6	9668A70G01	1 8
716B562G38	2 8	861A670G01	6 4	9664A83G01	2 8	9666A61G01	10 0	9669A30G01	4 6
716B562G39	2 8	862A584G01	4 0	9664A84G01	10 0	9666A62G01	10 0	9669A31G01	6 0
716B871G09	3 0	876A157G01	2 8	9664A85G01	4 6	9666A63G01	4 6	9669A32G01	4 4
716B871G10	0 3	877A077G01	6 4	9664A86G01	4 6	9666A64G01	2 8	9669A33G01	10 0
716B871G11	3 0	9641A64G01	10 0	9664A87G01	4 6	9666A65G01	10 0	9669A34G01	10 0
716B871G12	3 0	9642A36G01	2 8	9664A88G01	10 0	9666A66G01	4 6	9669A35G01	2 8
719B591G09	8 0	9646A77G01	10 0	9664A89G01	4 6	9666A67G01	4 6	9669A36G01	4 6
719B591G10	8 0	9647A11G01	8 2	9664A92G01	10 0	9666A69G01	8 2	9669A37G01	10 0
719B591G11	4 4	9647A12G01	8 2	9664A93G01	4 6	9666A72G01	4 6	9669A38G01	10 0



**Table 2 - FT-1 Switch Selection by Style (continued)**

STYLE NO.	POTENTIAL CURRENT	STYLE NO.	POTENTIAL CURRENT	STYLE NO.	POTENTIAL CURRENT	STYLE NO.	POTENTIAL CURRENT	STYLE NO.	POTENTIAL CURRENT
9669A39G01	10 0	9676A05G01	6 4	9676A94G01	10 0	9682A74G01	8 2	9683A81G01	6 0
9669A40G01	2 8	9676A06G01	6 4	9676A95G01	4 6	9682A76G01	10 0	9683A87G01	2 8
9669A41G01	10 0	9676A07G01	0 10	9676A96G01	2 8	9682A77G01	10 0	9683A88G01	10 0
9669A42G01	4 6	9676A08G01	10 0	9676A97G01	10 0	9682A78G01	10 0	9683A89G01	2 8
9669A43G01	4 6	9676A09G01	6 4	9676A98G01	4 6	9682A79G01	10 0	9683A92G01	0 10
9670A05G01	4 6	9676A10G01	4 6	9676A99G01	4 6	9682A80G01	8 2	9683A93G01	0 8
9670A34G01	10 0	9676A11G01	2 8	9682A19G01	10 0	9682A82G01	4 6	9683A94G01	6 4
9670A35G01	10 0	9676A14G01	10 0	9682A24G01	2 8	9682A83G01	10 0	9683A95G01	10 0
9670A97G01	10 0	9676A15G01	8 2	9682A25G01	8 2	9682A84G01	4 6	9683A96G01	3 7
9670A98G01	10 0	9676A17G01	4 6	9682A29G01	10 0	9682A85G01	8 2	9683A97G01	10 0
9671A04G01	2 8	9676A18G01	0 10	9682A30G01	10 0	9682A86G01	4 6	9683A98G01	4 6
9671A05G01	2 2	9676A19G01	3 3	9682A31G01	10 0	9682A87G01	2 8	9683A99G01	2 8
9671A12G01	2 8	9676A20G01	0 10	9682A32G01	10 0	9682A89G01	10 0	9688A01G01	4 6
9671A13G01	10 0	9676A23G01	0 10	9682A35G01	10 0	9682A90G01	10 0	9688A02G01	4 6
9671A22G01	2 8	9676A24G01	0 7	9682A36G01	6 4	9682A91G01	0 10	9688A03G01	2 2
9671A26G01	3 7	9676A25G01	0 9	9682A37G01	10 0	9682A92G01	0 10	9688A04G01	6 0
9671A68G01	10 0	9676A26G01	4 0	9682A38G01	10 0	9682A93G01	4 6	9688A07G01	8 2
9671A69G01	10 0	9676A27G01	4 0	9682A39G01	4 6	9682A94G01	0 10	9688A08G01	10 0
9671A70G01	4 6	9676A34G01	10 0	9682A41G01	10 0	9682A96G01	10 0	9688A09G01	10 0
9671A93G01	4 6	9676A35G01	4 6	9682A42G01	10 0	9682A97G01	3 7	9688A10G01	10 0
9671A94G01	10 0	9676A36G01	2 2	9682A43G01	2 5	9682A98G01	6 4	9688A11G01	4 6
9671A95G01	10 0	9676A37G01	5 0	9682A44G01	9 0	9682A99G01	10 0	9688A12G01	10 0
9672A01G01	4 6	9676A38G01	2 0	9682A45G01	10 0	9683A01G01	10 0	9688A13G01	10 0
9672A02G01	10 0	9676A53G01	10 0	9682A46G01	10 0	9683A02G01	10 0	9688A14G01	10 0
9672A03G01	4 2	9676A55G01	4 6	9682A47G01	2 8	9683A03G01	10 0	9688A15G01	10 0
9672A10G01	0 8	9676A58G01	4 6	9682A48G01	4 6	9683A04G01	4 6	9688A16G01	10 0
9672A23G01	2 8	9676A60G01	4 6	9682A49G01	4 6	9683A05G01	4 6	9688A17G01	10 0
9672A71G01	10 0	9676A65G01	6 0	9682A50G01	4 6	9683A06G01	10 0	9688A18G01	10 0
9672A72G01	0 6	9676A68G01	4 6	9682A51G01	4 6	9683A07G01	4 6	9688A19G01	10 0
9672A73G01	4 0	9676A71G01	6 4	9682A52G01	10 0	9683A10G01	8 0	9688A20G01	10 0
9672A74G01	10 0	9676A72G01	10 0	9682A53G01	4 6	9683A15G01	4 6	9688A22G01	4 6
9672A75G01	10 0	9676A73G01	10 0	9682A54G01	0 10	9683A16G01	2 8	9688A23G01	10 0
9672A77G01	10 0	9676A74G01	10 0	9682A57G01	10 0	9683A17G01	10 0	9688A24G01	10 0
9672A80G01	6 4	9676A75G01	2 8	9682A59G01	10 0	9683A18G01	10 0	9688A25G01	2 2
9672A83G01	8 2	9676A76G01	3 7	9682A60G01	10 0	9683A19G01	10 0	9688A26G01	10 0
9672A86G01	3 7	9676A79G01	3 4	9682A61G01	2 8	9683A20G01	4 6	9688A28G01	10 0
9672A87G01	6 4	9676A80G01	4 6	9682A62G01	10 0	9683A21G01	4 6	9688A30G01	0 6
9672A88G01	2 8	9676A81G01	10 0	9682A64G01	10 0	9683A22G01	2 6	9688A38G01	4 6
9672A89G01	8 2	9676A83G01	2 8	9682A65G01	10 0	9683A61G01	10 0	9688A40G01	6 0
9672A90G01	4 6	9676A84G01	10 0	9682A66G01	10 0	9683A69G01	10 0	9688A41G01	4 6
9672A94G01	2 8	9676A86G01	8 2	9682A67G01	10 0	9683A70G01	10 0	9688A42G01	0 8
9672A95G01	2 8	9676A87G01	10 0	9682A68G01	2 8	9683A71G01	6 2	9688A43G01	0 6
9672A97G01	10 0	9676A88G01	10 0	9682A69G01	4 6	9683A72G01	8 2	9688A44G01	10 0
9672A98G01	10 0	9676A89G01	10 0	9682A70G01	10 0	9683A73G01	4 6	9688A45G01	9 0
9672A99G01	6 4	9676A90G01	10 0	9682A71G01	10 0	9683A75G01	10 0	9688A46G01	2 0
9676A01G01	2 8	9676A91G01	10 0	9682A72G01	10 0	9683A76G01	0 6	9688A48G01	1 9
9676A04G01	8 2	9676A93G01	10 0	9682A73G01	10 0	9683A80G01	8 0	9688A50G01	3 7

Table 2 - FT-1 Switch Selection by Style (continued)

STYLE NO.	POTENTIAL	CURRENT
9688A51G01	0	10
9688A52G01	10	0
9688A53G01	10	0
9688A54G01	10	0
9688A55G01	5	0
9688A56G01	10	0
9688A57G01	10	0
9688A58G01	10	0
9688A59G01	10	0
9688A62G01	8	2
9688A63G01	3	0
9688A64G01	4	0
9688A65G01	2	6
9688A66G01	10	0
9688A67G01	3	1
9688A70G01	0	8
9688A71G01	10	0
9688A72G01	10	0
9688A73G01	10	0
9688A74G01	10	0
9688A75G01	0	10
9688A76G01	10	0
9688A77G01	10	0
9688A78G01	10	0
9688A79G01	4	0
9688A80G01	10	0
9688A81G01	10	0
9688A82G01	10	0
9688A83G01	3	4
9688A84G01	10	0
9688A85G01	2	8
9688A86G01	3	7
9688A87G01	4	6
9688A88G01	10	0
9688A89G01	10	0
9688A90G01	10	0
9688A91G01	2	8
9688A92G01	10	0
9688A93G01	10	0
9688A94G01	2	8
9688A95G01	10	0
9688A96G01	10	0
9688A98G01	8	2
9688A99G01	7	0
9689A01G01	6	4
9689A02G01	2	8
9689A03G01	0	10

STYLE NO.	POTENTIAL	CURRENT
9689A04G01	4	6
9689A06G01	4	6
9689A07G01	4	6
9689A08G01	10	0
9689A09G01	10	0
9689A10G01	4	5
9689A11G01	0	10
9689A12G01	0	4
9689A13G01	10	0
9689A14G01	4	6
9689A15G01	10	0
9689A16G01	6	2
9689A17G01	0	10
9689A18G01	6	4
9689A19G01	4	6
9689A20G01	0	8
9689A21G01	9	0
9689A22G01	8	0
9689A23G01	0	6
9689A25G01	8	2
9689A26G01	0	10
9689A27G01	0	8
9689A28G01	4	6
9689A29G01	4	6
9689A31G01	10	0
9689A32G01	10	0
9689A33G01	4	6
9689A34G01	2	8
9689A36G01	10	0
9689A37G01	10	0
9689A38G01	6	4
9689A40G01	10	0
9689A41G01	4	6
9689A42G01	6	4
9689A43G01	0	10
9689A45G01	3	7
9689A47G01	10	0
9689A49G01	10	0
9689A50G01	10	0
9689A53G01	4	6
9689A54G01	1	4
9689A56G01	3	6
9689A57G01	3	6
9689A59G01	10	0
9689A60G01	10	0
9689A61G01	10	0
9689A62G01	10	0

STYLE NO.	POTENTIAL	CURRENT
9689A63G01	10	0
9689A65G01	10	0
9689A69G01	10	0
9689A70G01	10	0
9689A72G01	8	2
9689A73G01	6	4
9689A74G01	0	2
9689A75G01	3	0
9689A76G01	8	0
9689A77G01	2	8
9689A78G01	0	6
9689A79G01	10	0
9689A80G01	4	0
9689A81G01	6	4
9689A84G01	4	6
9689A85G01	4	6
9689A87G01	8	2
9689A88G01	8	2
9689A89G01	4	6
9689A90G01	8	0
9689A91G01	10	0
9689A95G01	8	0
9689A97G01	10	0
9689A99G01	10	0
991A218G01	6	4
991A219G01	1	3
991A220G01	10	0
991A221G01	10	0
991A222G01	10	0
991A223G01	10	0
991A224G01	10	0
991A225G01	10	0
991A226G01	8	2
991A227G01	10	0
991A228G01	10	0
991A229G01	10	0
991A230G01	10	0
991A231G01	6	4
991A232G01	10	0
991A233G01	2	8
991A234G01	4	6
991A235G01	6	4
991A236G01	4	6
991A237G01	2	8
991A238G01	4	6
991A239G01	4	6
991A240G01	4	6

STYLE NO.	POTENTIAL	CURRENT
991A241G01	8	2
991A302G01	10	0
991A303G01	10	0
991A334G01	6	4
991A335G01	6	4
991A506G01	6	4
991A621G01	10	0
991A622G01	6	4
991A623G01	10	0
991A624G01	4	6
991A625G01	2	8
991A626G01	0	4
991A814G01	10	0
991A929G01	10	0
991A930G01	10	0
991A931G01	10	0
991A932G01	4	0
991A933G01	8	2
991A934G01	8	2
991A935G01	2	8
991A936G01	1	6
991A937G01	8	0
991A938G01	2	6
991A939G01	3	0
991A940G01	9	0
991A941G01	4	6
991A942G01	2	8
991A943G01	10	0
991A944G01	8	2

**Table 3 - FT-14 Switch Selection Guide**

POTENTIAL CURRENT	ARRANGEMENT														STYLE NO.
	A	B	C	D	E	F	G	H	I	J	K	L	M	N	
11 0	T	T	T	T	T	T	T	T	T	T	.	.	.	.	FT4A11T11CN4004
5 6	T	T	T	C-C	C-C	C-C	Y	Y	.	.	.	.	.	.	FT4A11T05CN4102
3 8	C-C	C-C	C-C	C-C	C-C	T	T	T	.	.	.	.	.	.	FT4A11T03CN4104
3 8	C-C	C-C	C-C	C-C	C-C	Z	Z	Z	.	.	.	.	.	.	FT4A11T03CN4006
<b>12</b>															
<b>Pole</b>	<b>A</b>	<b>B</b>	<b>C</b>	<b>D</b>	<b>E</b>	<b>F</b>	<b>G</b>	<b>H</b>	<b>I</b>	<b>J</b>	<b>K</b>	<b>L</b>	<b>M</b>	<b>N</b>	<b>STYLE NO.</b>
12 0	P	P	P	P	P	P	P	P	P	P	.	.	.	.	FT4A12T12CN4007
12 0	T	T	T	T	T	T	T	T	T	T	.	.	.	.	FT4A12T12CN4008
6 6	P	P	P	R-R	R-R	R-R	Z	Z	.	.	.	.	.	.	FT4A12T06CN4091
4 8	.	C-C	C-C	C-C	C-C	T	T	T	T	.	.	.	.	.	FT4A12T04CN4010
4 8	C-C	C-C	C-C	C-C	C-C	T	T	P	P	.	.	.	.	.	FT4A12T04CN4011
4 8	C-C	C-C	C-C	C-C	C-C	Z	Z	Z	Z	.	.	.	.	.	FT4A12T04CN4012
4 8	P	P	P	C-C	C-C	C-C	C-C	T	.	.	.	.	.	.	FT4A12T04CN4076
4 8	T	T	T	W	.	C-C	C-C	C-C	C-C	.	.	.	.	.	FT4A12T04CN4013
0 12	C-C	C-C	C-C	.	C-C	C-C	C-C	.	.	.	.	.	.	.	FT4A12T00CN4079
0 12	C-C	C-C	C-C	C-C	C-C	C-C	C-C	.	.	.	.	.	.	.	FT4A12T00CN4014
<b>13</b>															
<b>Pole</b>	<b>A</b>	<b>B</b>	<b>C</b>	<b>D</b>	<b>E</b>	<b>F</b>	<b>G</b>	<b>H</b>	<b>I</b>	<b>J</b>	<b>K</b>	<b>L</b>	<b>M</b>	<b>N</b>	<b>STYLE NO.</b>
13 0	T	T	T	T	T	T	T	T	T	T	T	T	T	.	FT4A13T13CN4015
9 4	P	P	P	C-C	P	P	P	C-C	P	P	P	.	.	.	FT4A13T09CN4084
0 13	C	.	C-5	C-5	C-5	C-5	C-5	C-5	C-5	.	.	.	.	.	FT4A13T00CN4088
<b>14</b>															
<b>Pole</b>	<b>A</b>	<b>B</b>	<b>C</b>	<b>D</b>	<b>E</b>	<b>F</b>	<b>G</b>	<b>H</b>	<b>I</b>	<b>J</b>	<b>K</b>	<b>L</b>	<b>M</b>	<b>N</b>	<b>STYLE NO.</b>
14 0	G	G	G	G	G	G	G	G	G	G	G	G	G	G	FT4A14T14CN4083
14 0	P	P	G	Y	Z	Z	T	T	T	T	T	T	T	T	FT4A14T14CN4017
14 0	P	P	P	P	P	P	P	P	P	P	P	P	P	P	FT4A14T14CN4001
14 0	P	P	P	P	T	T	T	T	T	T	T	T	T	T	FT4A14T14CN4080
14 0	T	P	T	P	T	P	T	P	T	P	T	P	T	P	FT4A14T14CN4066
14 0	T	T	T	T	P	P	P	P	P	P	P	P	P	P	FT4A14T14CN4073
14 0	T	T	T	T	T	T	T	T	T	T	T	T	T	T	FT4A14T14CN4018
14 0	T	Y	Z	T	Y	Y	Z	Z	P	P	P	Y	Y	.	FT4A14T14CN4071
14 0	W	W	W	W	W	W	W	W	W	W	W	W	W	W	FT4A14T14CN4090
14 0	Y	Y	Y	Y	Y	Y	Y	Y	Y	Y	Y	Y	Y	Y	FT4A14T14CN4078
12 2	C-C	P	P	P	P	P	P	T	T	T	T	T	T	T	FT4A14T12CN4085
10 4	T	T	T	T	T	T	T	P	P	C-C	C-C	.	.	.	FT4A14T10CN4086
8 6	C	C	C	C	C	P	P	P	P	T	T	T	T	T	FT4A14T08CN4092
8 6	C-C	C-C	C-C	C-C	P	P	P	P	P	P	P	P	P	P	FT4A14T08CN4067
8 6	C-C	C-C	C-C	C-C	P	P	P	P	T	T	T	T	T	T	FT4A14T08CN4021
8 6	C-C	C-C	C-C	C-C	P	P	P	T	T	T	T	T	T	T	FT4A14T08CN4077
8 6	C-C	C-C	C-C	C-C	T	T	T	T	P	P	P	P	.	.	FT4A14T08CN4022
8 6	C-C	C-C	C-C	C-C	T	T	T	T	T	T	T	T	T	T	FT4A14T08CN4023
8 6	C-C	C-C	C-C	C-C	T	T	T	Y	Y	Y	Y	Y	Y	Y	FT4A14T08CN4024
8 6	C-C	C-C	C-C	C-C	T	T	Y	Y	Y	Y	Y	Y	Y	Y	FT4A14T08CN4025
8 6	C-C	C-C	C-C	C-C	Z	Z	Z	Y	Y	Y	Y	Y	Y	Y	FT4A14T08CN4026
8 6	C-C	C-C	C-C	C-C	Z	Z	Z	Z	T	T	Y	Y	.	.	FT4A14T08CN4027

POTENTIAL CURRENT	ARRANGEMENT														STYLE NO.
	A	B	C	D	E	F	G	H	I	J	K	L	M	N	
8 6	C-C	C-C	C-C	C-C	P	P	P	P	T	T	T	T	T	T	FT4A14T08CN4093
8 6	P	P	P	C-C	C-C	C-C	P	P	P	P	P	P	P	P	FT4A14T08CN4003
8 6	P	P	P	C-C	C-C	C-C	P	T	P	P	P	P	P	P	FT4A14T08CN4028
8 6	T	P	O	O	P	P	P	G	C-C	C-C	C-C	.	.	.	FT4A14T08CN4101
8 6	T	T	C-C	C-C	C-C	W	W	W	W	W	W	W	W	W	FT4A14T08CN4097
8 6	T	T	T	C-C	C-C	C-C	T	T	T	T	T	T	T	T	FT4A14T08CN4030
8 6	T	T	T	C-C	C-C	C-C	W	G	O	Y	Z	.	.	.	FT4A14T08CN4031
8 6	T	T	T	T	C-C	C-C	C-C	T	T	T	T	.	.	.	FT4A14T08CN4032
8 6	T	T	T	T	T	T	T	T	C-C	C-C	C-C	.	.	.	FT4A14T08CN4099
8 6	T	Y	Z	R-R	6-6	7-7	P	P	P	Y	Y	.	.	.	FT4A14T08CN4072
7 7	P	P	P	P	P	P	P	C-C	C-C	C-C	C	.	.	.	FT4A14T07CN4033
7 7	P	P	T	T	P	P	P	C-C	C-C	C-C	C	.	.	.	FT4A14T07CN4034
6 8	C-C	C-C	C-C	C-C	C-C	P	P	P	P	P	P	P	P	P	FT4A14T06CN4068
6 8	C-C	C-C	C-C	C-C	C-C	P	P	P	P	T	T	.	.	.	FT4A14T06CN4035
6 8	C-C	C-C	C-C	C-C	C-C	T	T	P	P	P	P	P	P	P	FT4A14T06CN4036
6 8	C-C	C-C	C-C	C-C	C-C	T	T	T	T	T	T	T	T	T	FT4A14T06CN4037
6 8	C-C	C-C	C-C	C-C	C-C	T	Y	Y	Y	Y	Y	Y	Y	Y	FT4A14T06CN4038
6 8	C-C	C-C	C-C	C-C	C-C	Z	O	Y	G	P	T	.	.	.	FT4A14T06CN4064
6 8	C-C	C-C	C-C	C-C	C-C	Z	Z	Z	Y	Y	Y	.	.	.	FT4A14T06CN4040
6 8	P	C-C	C-C	C-C	C-C	C-C	P	P	P	P	P	P	P	P	FT4A14T06CN4002
6 8	P	P	O	O	O	R-R	6-6	7-7	8-8	.	.	.	.	.	FT4A14T06CN4043
6 8	P	P	P	C-C	C-C	C-C	C-C	C-C	P	P	P	P	P	P	FT4A14T06CN4044
6 8	P	P	P	P	C-C	C-C	C-C	C-C	C-C	P	P	P	P	P	FT4A14T06CN4065
6 8	P	P	P	P	C-C	C-C	C-C	C-C	T	T	.	.	.	.	FT4A14T06CN4045
6 8	P	P	P	P	P	P	C-C	C-C	C-C	C-C	C-C	.	.	.	FT4A14T06CN4046
6 8	R-R	R-R	R-R	R-R	R-R	P	P	P	P	P	P	P	P	P	FT4A14T06CN4095
6 8	T	C-C	C-C	C-C	C-C	C-C	P	P	P	P	P	P	P	P	FT4A14T06CN4103
6 8	T	C-C	T	C-C	T	C-C	T	C-C	T	C-C	T	T	.	.	FT4A14T06CN4048
6 8	T	P	T	O	O	O	C-C	C-C	C-C	5-5	.	.	.	.	FT4A14T06CN4100
6 8	T	T	C-C	C-C	C-C	C-C	W	W	W	W	W	W	W	W	FT4A14T06CN4096
6 8	T	T	T	C-C	C-C	C-C	8-8	W	P	P	.	.	.	.	FT4A14T06CN4049
6 8	T	T	T	C-C	C-C	C-C	C-C	T	T	T	.	.	.	.	FT4A14T06CN4050
6 8	T	T	T	C-C	C-C	C-C	T	C-C	T	T	.	.	.	.	FT4A14T06CN4051
6 8	T	T	T	T	C-C	C-C	C-C	C-C	T	T	.	.	.	.	FT4A14T06CN4052
6 8	T	T	T	T	T	T	C-C	C-C	C-C	C-C	.	.	.	.	FT4A14T06CN4053
6 8	T	T	T	T	Z	Z	C-C	C-C	C-C	C-C	C-C	.	.	.	FT4A14T06CN4054
6 8	T	T	T	Z	Z	Z	C-C	C-C	C-C	C-C	C-C	.	.	.	FT4A14T06CN4055
6 8	Z	Z	Z	Z	Z	C-C	C-C	C-C	C-C	T	T	.	.	.	FT4A14T06CN4074
6 8	Z	Z	Z	Z	Z	Z	C-C	C-C	C-C	C-C	.	.	.	.	FT4A14T06CN4056
5 9	T	P	P	P	P	C-C	C-C	C-C	C-C	C-C	.	.	.	.	FT4A14T05CN4057
4 10	9-9	9-9	9-9	9-9	Z	Z	Z	9-9	9-9	Z	.	.	.	.	FT4A14T04CN4058
4 10	C-C	C-C	C-C	C-C	P	T	T	T	C-C	C-C	C-C	.	.	.	FT4A14T04CN4081
4 10	C-R	5-6	-C	P	P	C-7	-8	-9	-C	P	P	.	.	.	FT4A14T04CN4082
4 10	P	P	C-C	C-C	C-C	C-C	C-C	C-C	C-C	P	P	.	.	.	FT4A14T04CN4059
2 12	9-9	9-9	9-9	9-9	9-9	Z	9-9	9-9	Z	.	.	.	.	.	FT4A14T02CN4060

Table 3 - FT-14 Switch Selection Guide (continued)

POTENTIAL	CURRENT	ARRANGEMENT														STYLE NO.
		A	B	C	D	E	F	G	H	I	J	K	L	M	N	
2	12	C	C	C	C	C	C	C	C	C	C	C	P	P	FT4A14T02CN4094	
2	12	C-C	C-C	C-C	C-C	C-C	C-C	C-C	C-C	P	P				FT4A14T02CN4098	
2	12	C-C	C-C	C-C	C-C	C-C	C-C	C-C	T	T					FT4A14T02CN4061	
2	12	C-C-C-C	C-C	C-C	C-C	C-C	C-C	P	P						FT4A14T02CN4069	
2	12	P	C-C	C-C	C-C	C-C	C-C	C-C	P						FT4A14T02CN4075	

POTENTIAL	CURRENT	ARRANGEMENT														STYLE NO.
		A	B	C	D	E	F	G	H	I	J	K	L	M	N	
2	12	T	T	C-C	C-C	C-C	C-C	C-C	C-C	C-C					FT4A14T02CN4062	
0	14	C-5	C-5	C-5	C-5	C-5	C-5	C-5	C-5	C					FT4A14T00CN4089	
0	14	C-5	C-5	C-5	C-5	C-5	C-5	C-5	C-5						FT4A14T00CN4087	
0	14	C-C	C-C	C-C	C-C	C-C	C-C	C-C	C-C						FT4A14T00CN4063	
0	14	C-C	C-C	C-C	C-C	C-C	C-C	C-C	C-C						FT4A14T00CN4070	

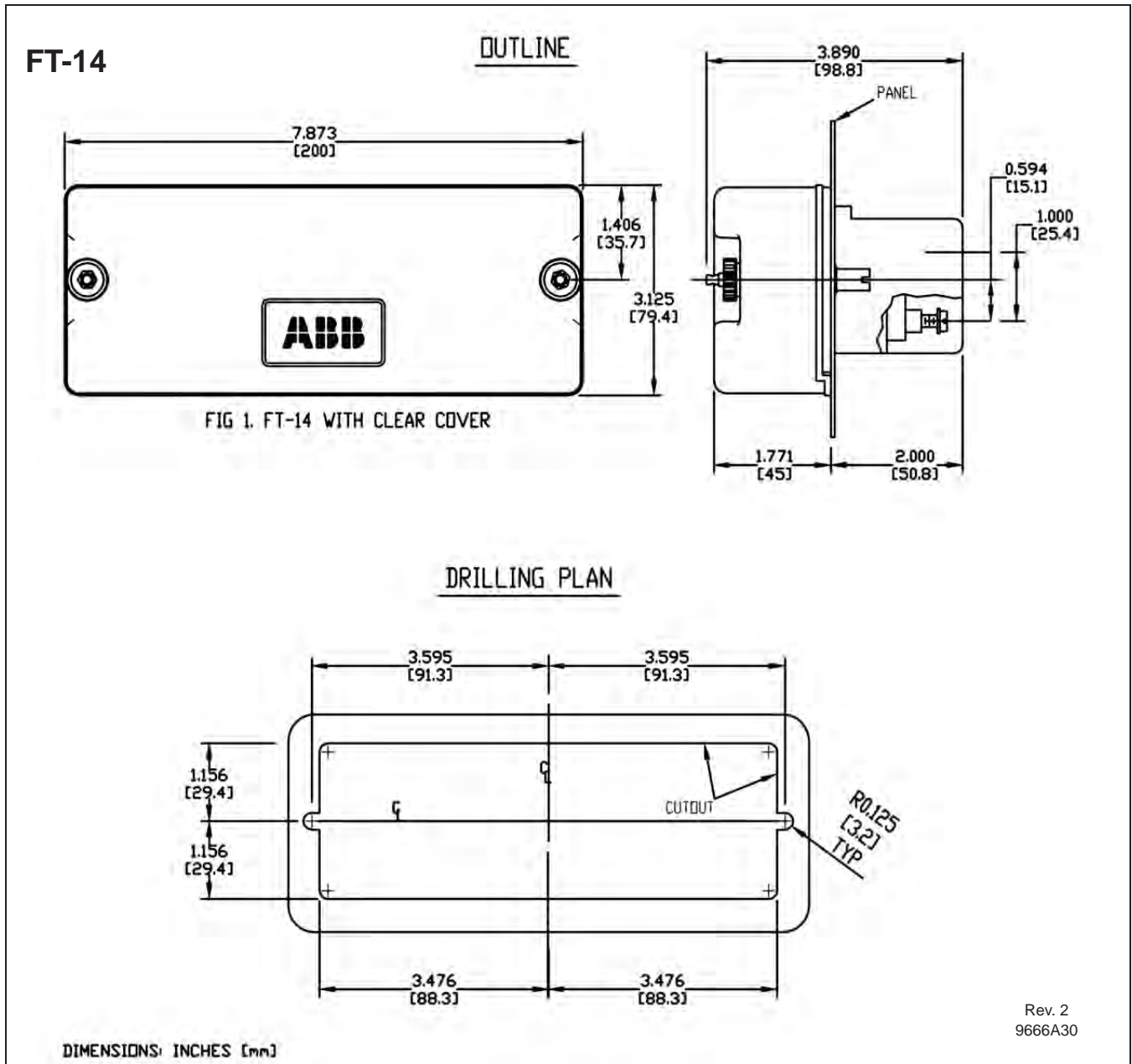


Figure 11. FT-14 Switch Outline and Drilling Plan

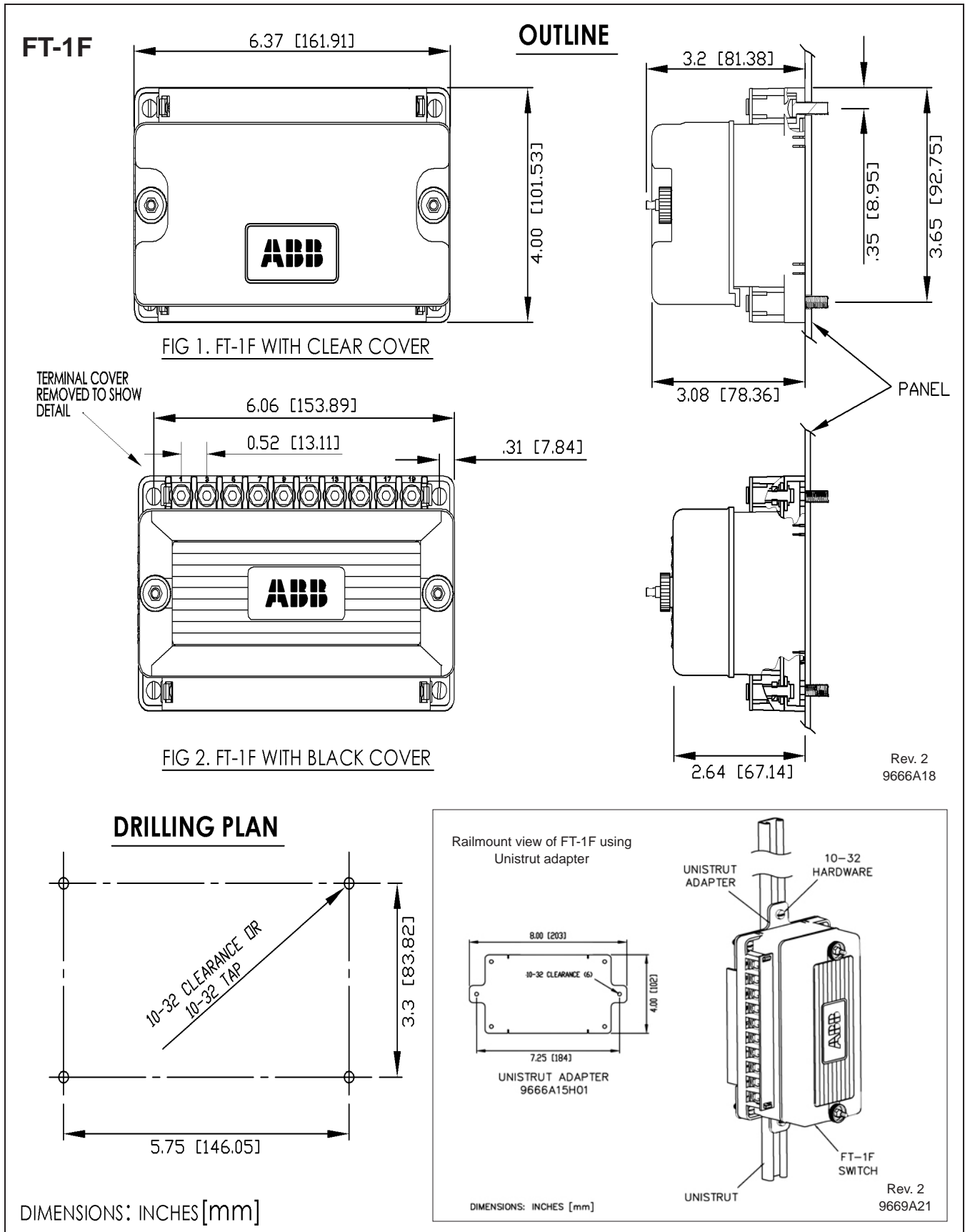


Figure 12. FT-1F Switch Outline and Drilling Plan

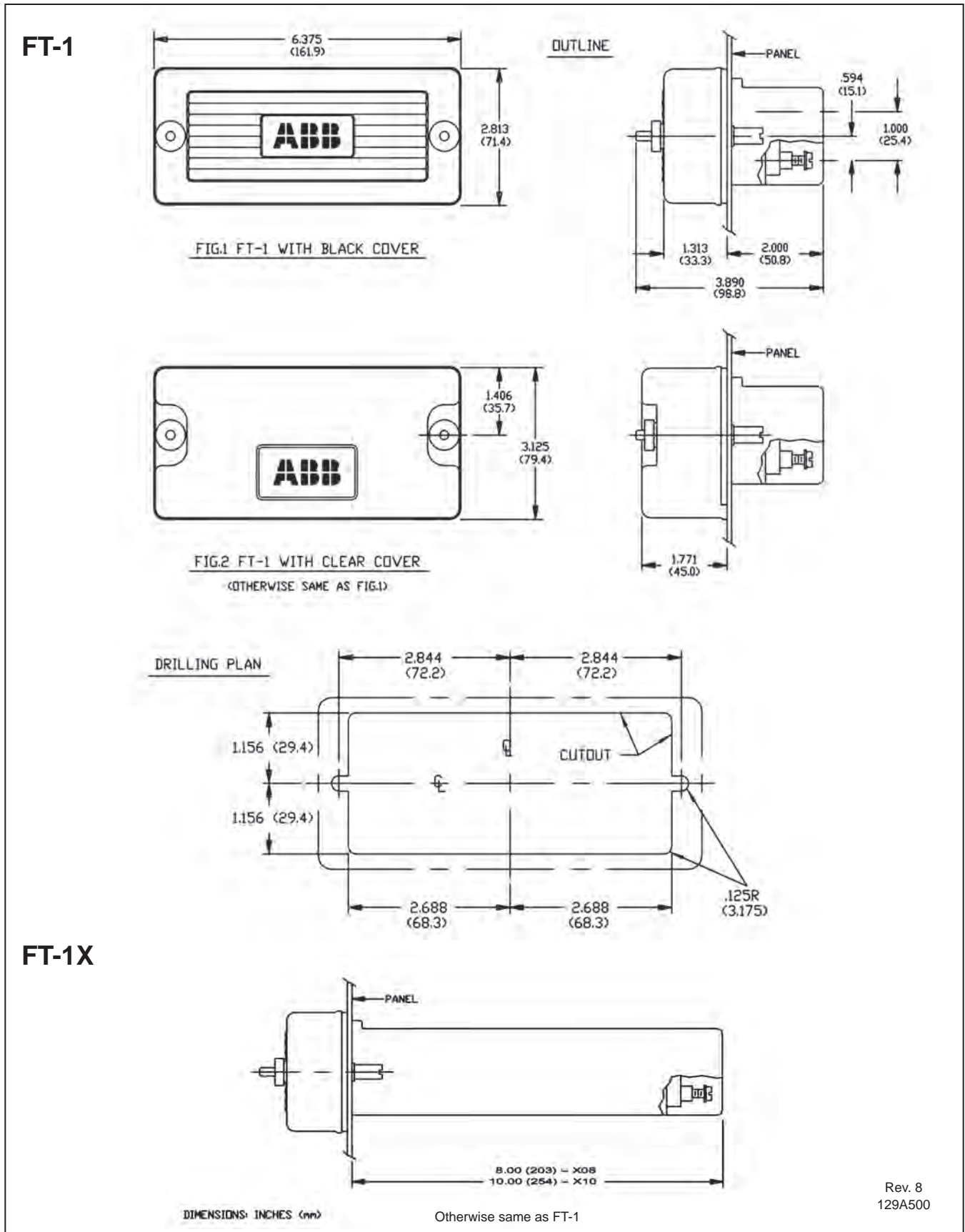
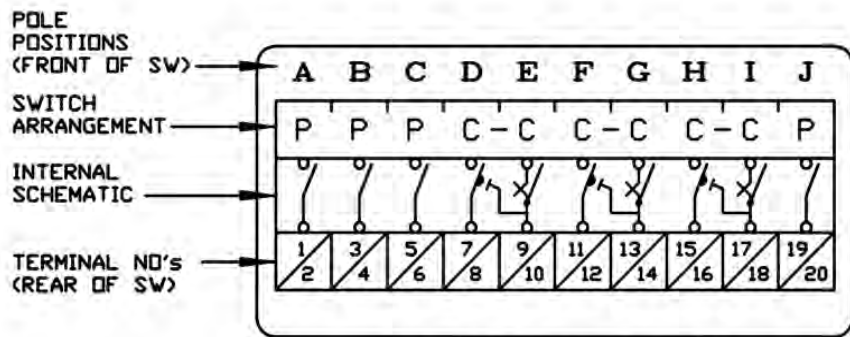
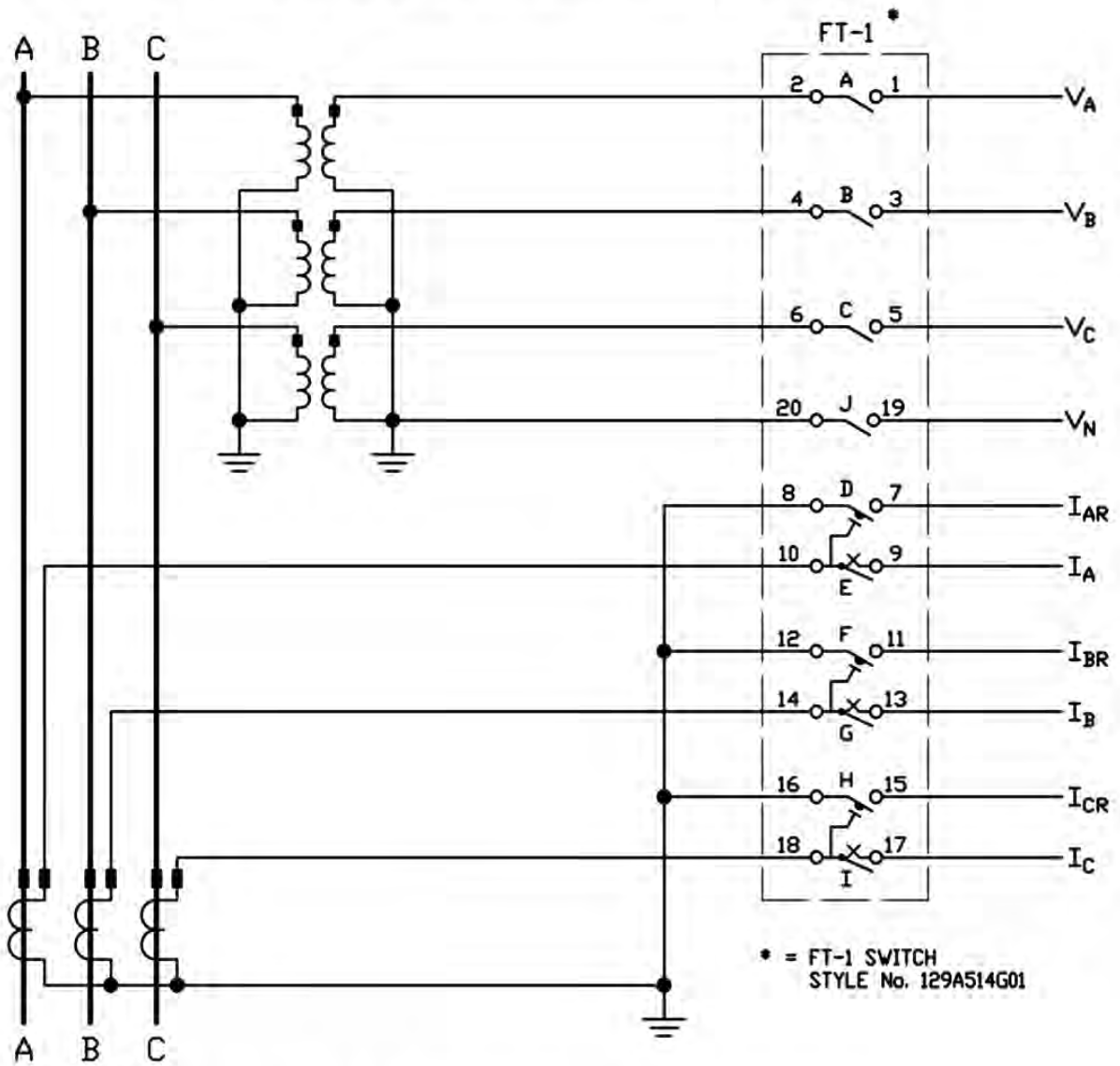


Figure 13. FT-1 Switch Outline and Drilling Plan

TYPICAL FT-1 SWITCH CONNECTION SCHEMATIC



FT-1 STYLE No. 129A514G01  
(SWITCH LAYOUT)

Rev. 3  
9666A11

Figure 14. Typical FT-1 Switch Connection Schematic



ABB Inc.  
4300 Coral Ridge Drive  
Coral springs, Florida 33065  
Telephone: +1 954-752-6700  
Fax: +1 954-345-5329  
[www.abb.com/substationautomation](http://www.abb.com/substationautomation)